

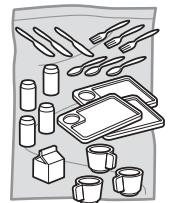
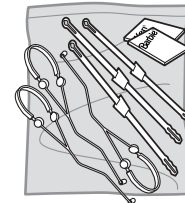
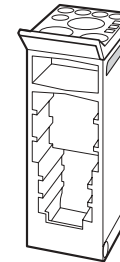
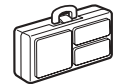
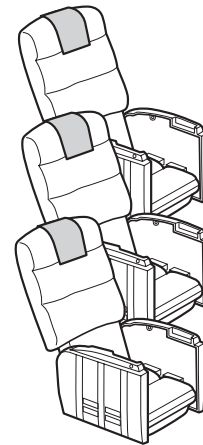
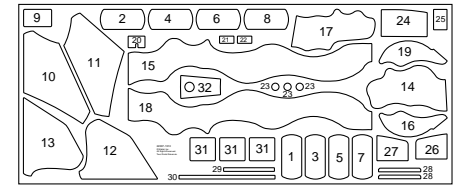
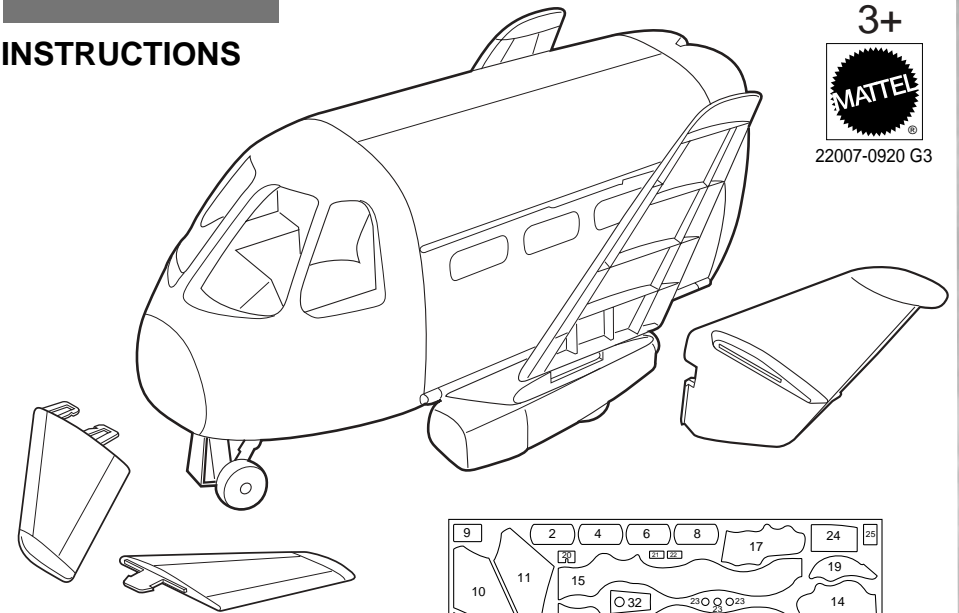
Barbie®

INSTRUCTIONS

3+



22007-0920 G3



CONSUMER INFORMATION

YOU CAN TELL IT'S MATTEL!™ CALL us toll-free or write with any comments or questions about our products or service. Monday-Friday 8:00 a.m.-6:00 p.m. Eastern Time. Outside U.S.A., see telephone directory for Mattel listing.

Consumer Relations, Mattel, Inc.
333 Continental Blvd.
El Segundo, CA 90245 USA

1 (800) 524-TOYS

WE ARE DEDICATED TO QUALITY PRODUCTS.

Mattel U.K., Ltd., Vanwall Business Park, Maidenhead SL6 4UB.
Helpline 01628500303.

Mattel Australia Pty., Ltd., Richmond, Victoria 3121. Consumer Advisory Service
1300 135 312 (valid only in Australia).

Mattel East Asia Ltd., Room 1106, South Tower, World Finance Centre, Harbour
City, Tsimshatsui, HK, China.

Diimport & Diedarkan Oleh: Mattel SEA Ptd Ltd. (993532-P) Lot 13.5, 13th
Floor, Menara Lien Hoe, Persiaran Tropicana Golf Country Resort, 47410 PJ.
Tel: 03-78803817, Fax: 03-78803867.

Mattel, Inc., El Segundo, CA 90245 U.S.A. Consumer Affairs 1 (800) 424-TOYS.

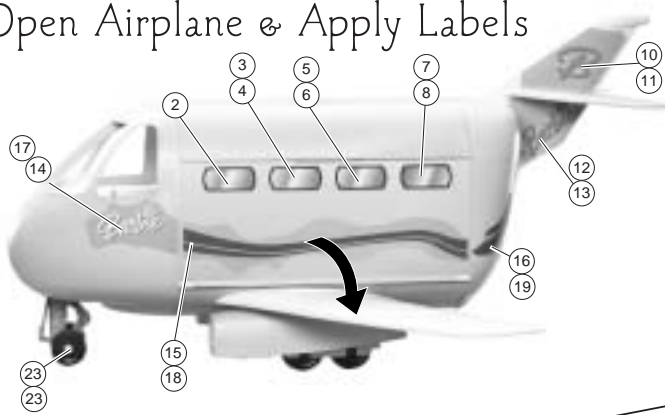
WARNING:
CHOKING HAZARD - Small parts.
Not for children under 3 years.

CONTENTS: Please remove everything from the package and compare to the contents shown here. If any items are missing, please call 1-800-524-TOYS.

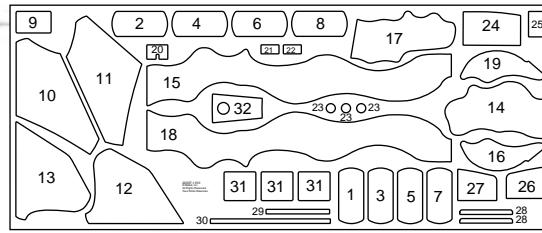
Requires 3 "AA" alkaline batteries (not included).

Keep these instructions for future reference as they contain important information.

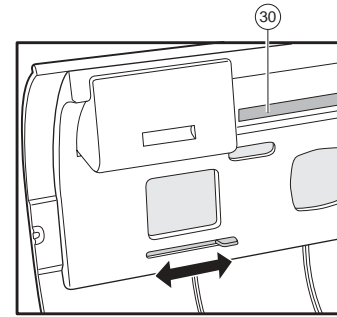
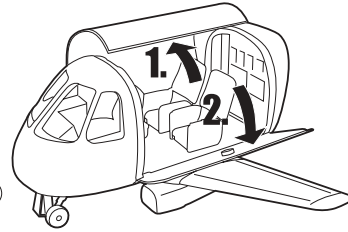
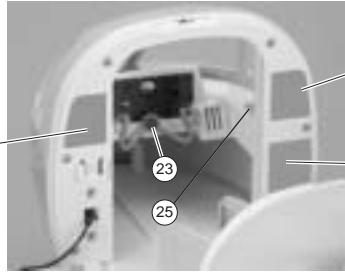
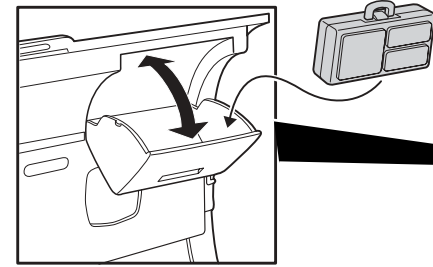
Open Airplane & Apply Labels



Apply labels by number as shown. ①
NOTE: Bottom numbers on opposite side.

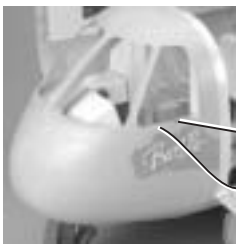
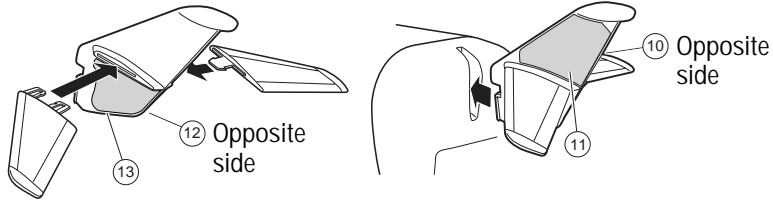


Play Activity



Move slider to change TV, window and seat belt images on side of cabin.

Assemble Tail

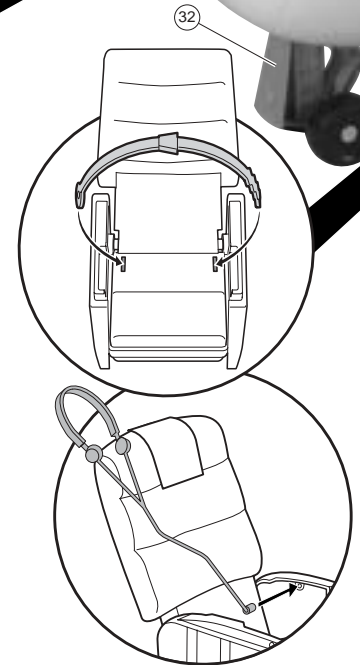
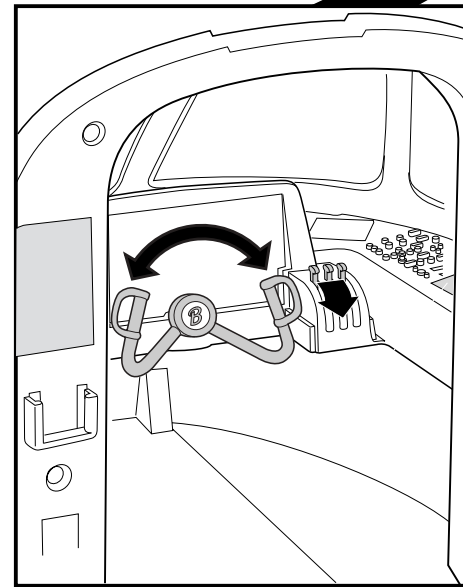


Announcements/Sound

NOTE: Change batteries when sound becomes weak, distorted, or voice becomes unintelligible.

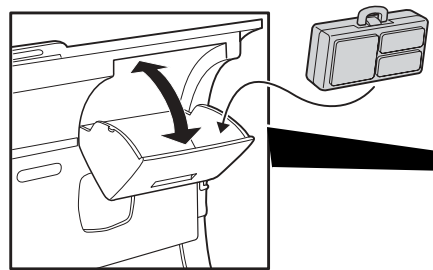
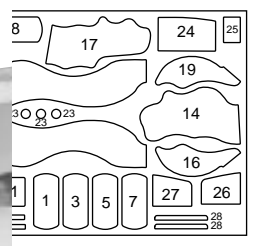
- Push switch forward to on position.
- Press button to hear Take-Off sound.
- Press once more for Landing sound.

Hold microphone close to mouth to make your own announcements. Power will go into sleep mode if toy is idle for over a minute. Press sound button to wake up. Turn switch off when play is finished.

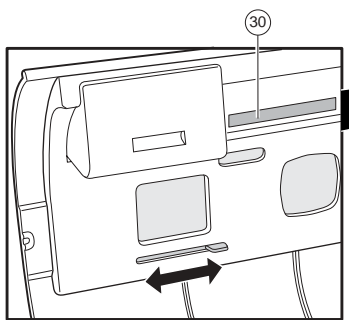
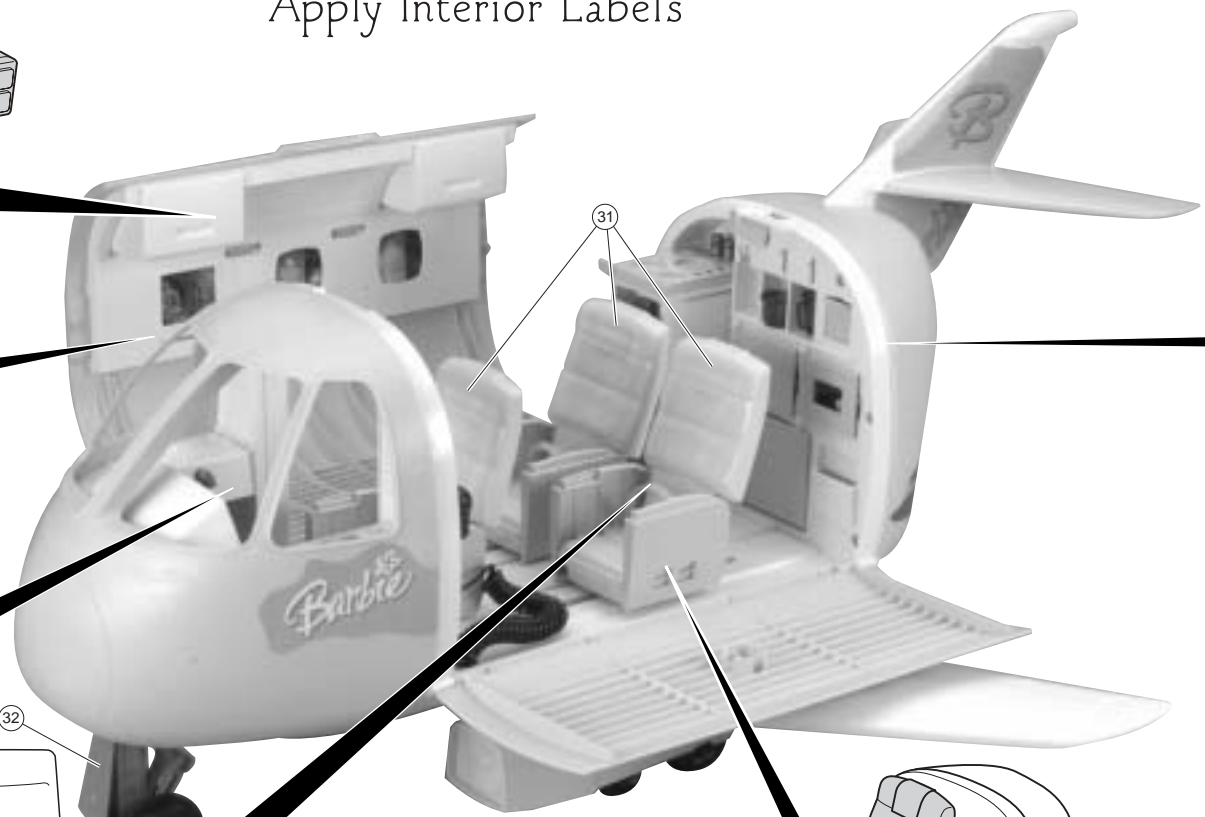


A

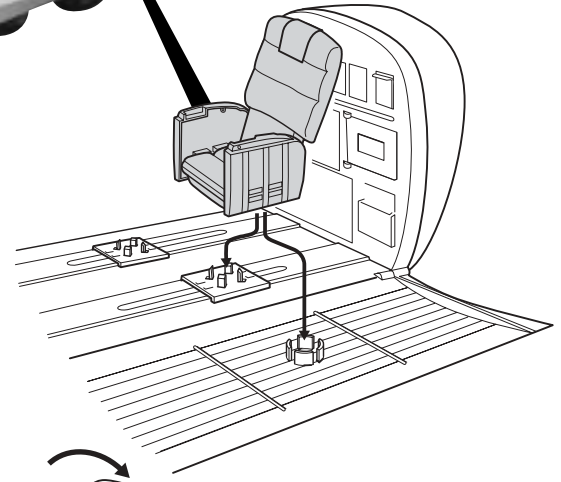
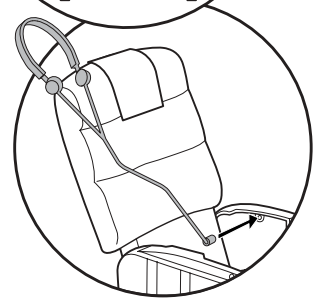
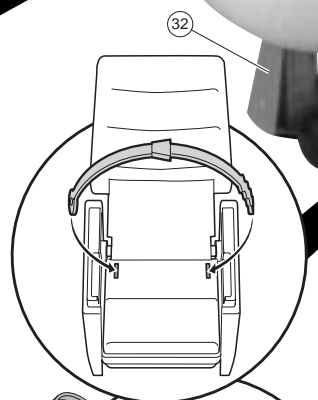
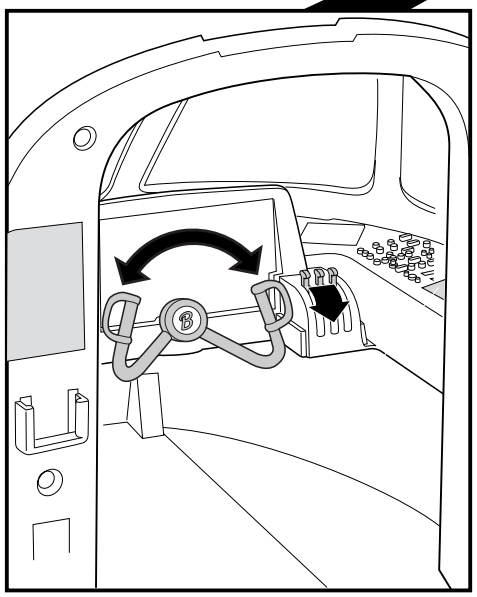
Play Activity



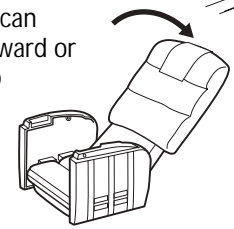
Apply Interior Labels



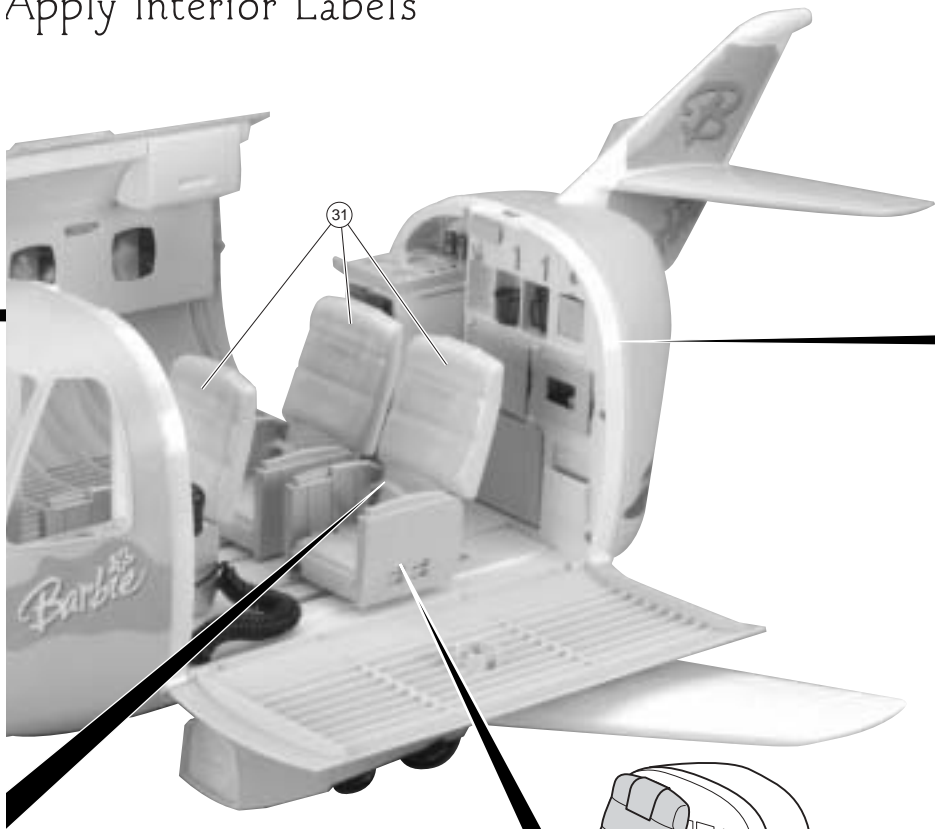
Move slider to change TV, window and seat belt images on side of cabin.



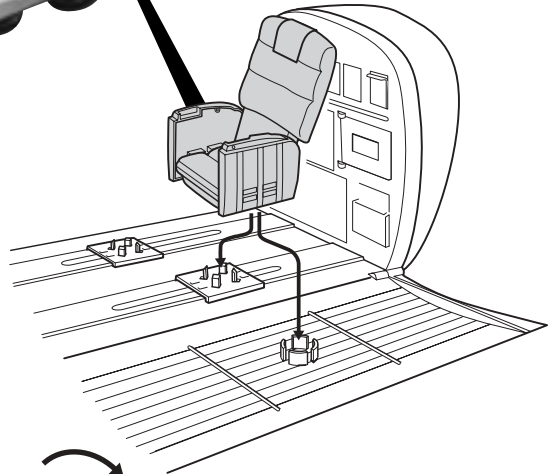
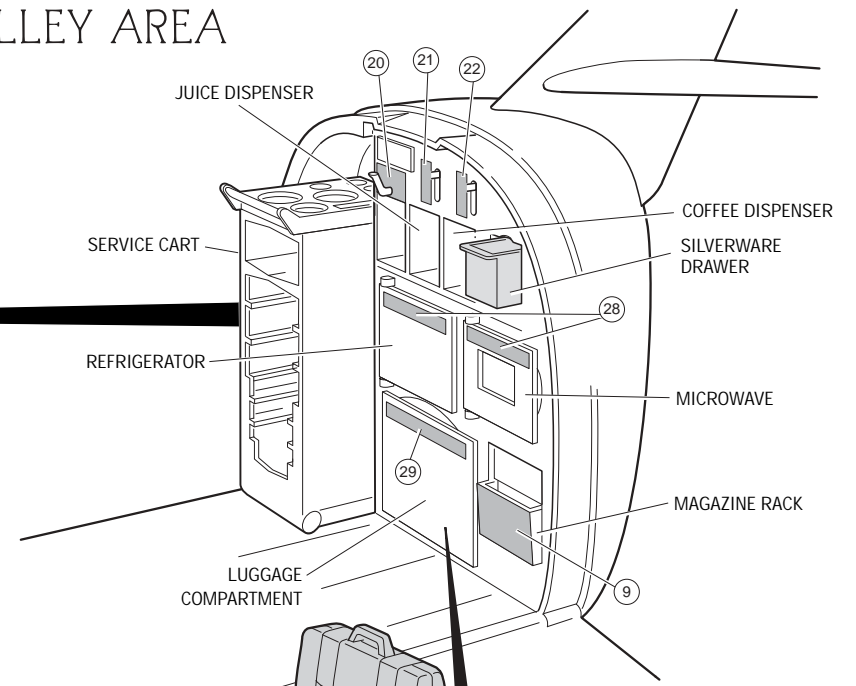
Seats are removable. When attached to bases inside aircraft, they can swivel and slide forward or back. Seats are also reclinable.



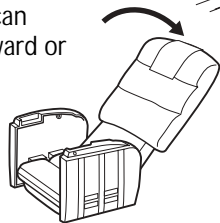
Apply Interior Labels



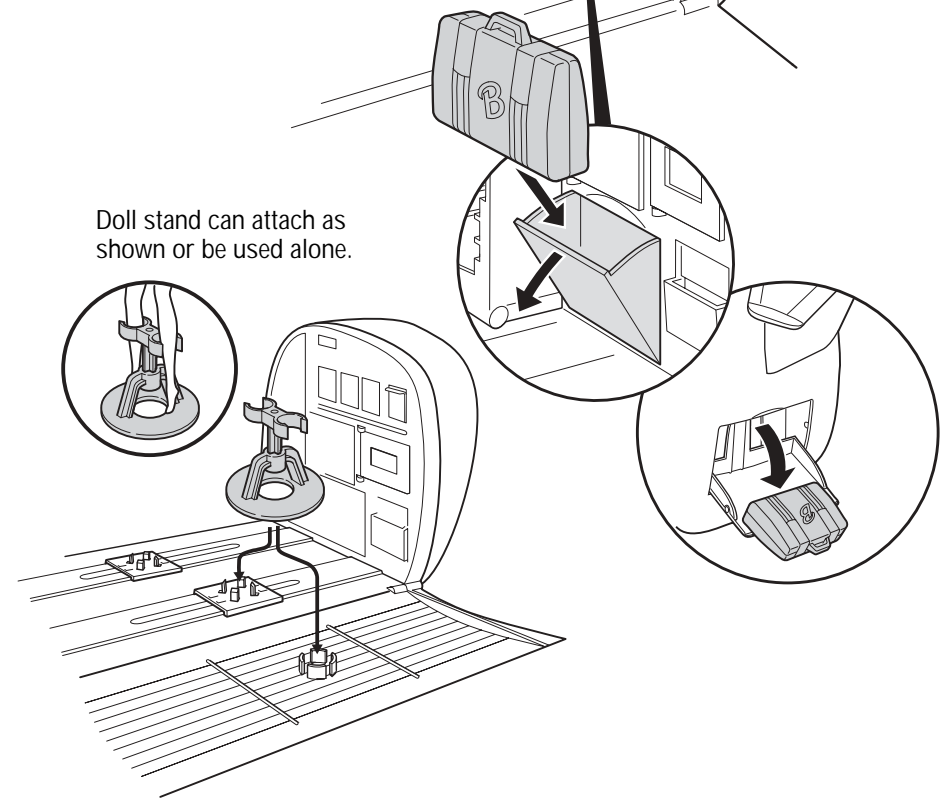
GALLEY AREA



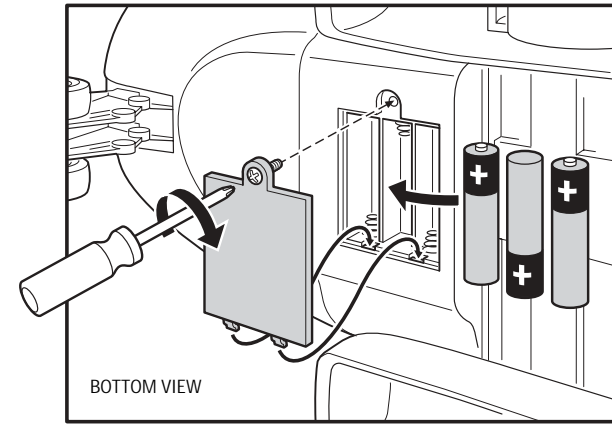
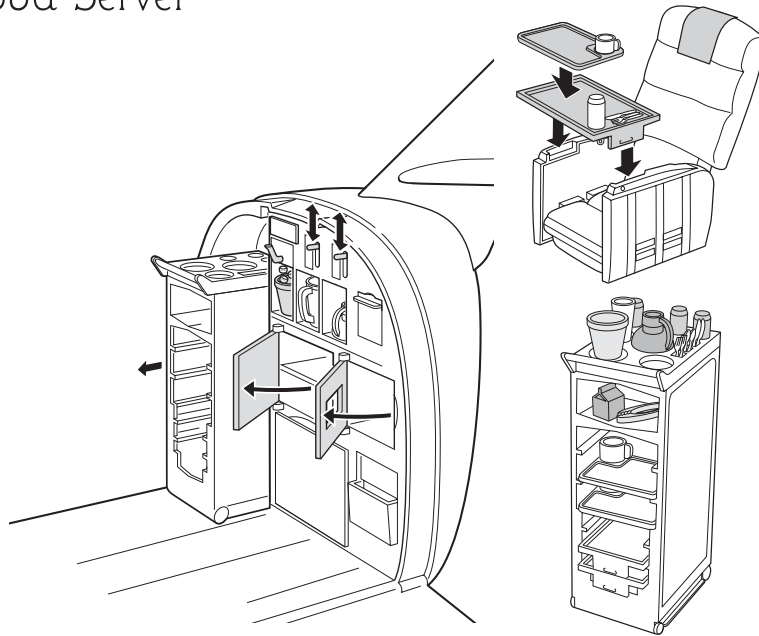
Seats are removable. When attached to bases inside aircraft, they can swivel and slide forward or back. Seats are also reclinable.



Doll stand can attach as shown or be used alone.



Food Server



Battery Installation

Using screwdriver (not included), remove center screw to open battery door as shown. Insert 3 "AA" batteries (not included). Be sure to insert batteries as indicated. Replace and refasten battery door.

For best performance, use alkaline batteries.

BATTERY SAFETY INFORMATION

In exceptional circumstances batteries may leak fluids that can cause a chemical burn injury or ruin your toy (product). To avoid battery leakage:

- Non-rechargeable batteries are not to be recharged.
- Rechargeable batteries are to be removed from the toy before being charged (if designed to be removable).
- Rechargeable batteries are only to be charged under adult supervision (if designed to be removable).
- Do not mix alkaline, standard (carbon-zinc), or rechargeable (nickel-cadmium) batteries.
- Do not mix old and new batteries.
- Only batteries of the same or equivalent type as recommended are to be used.
- Batteries are to be inserted with the correct polarity.
- Exhausted batteries are to be removed from the toy.
- The supply terminals are not to be short-circuited.
- Dispose of battery(ies) safely.
- Do not dispose of this toy in a fire. The batteries inside may explode or leak.

Storage

