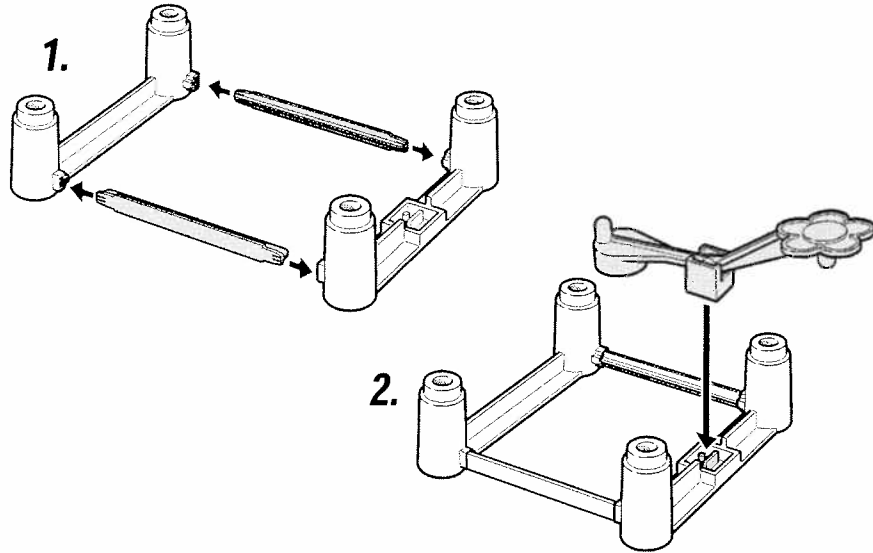


It's a birthday party for Kelly[®] with a big castle jumpy!



3. Inflate the jumpy bed.

Slightly pinch the nozzle with your fingers, and blow into the nozzle. Close the cap tightly.

To deflate, pinch the nozzle with your fingers and push the air out.

