

*Cadillac*

**HYBRID**

**ESCALADE™**

***CUSTOM EDITION***



Product features may vary from the picture above.

- **Please read this manual and save it with your original sales receipt.**
- Required tools: Phillips Screwdriver (not included); Assembly Tool (included).
- Use only with a Power Wheels® 12 Volt Lead Acid Rechargeable Battery with Built-in Thermal Fuse and Power Wheels® 12 Volt Charger with Type 12V Connector (both included).
- Requires four "C" (LR14) **alkaline** batteries (not included) for FM Radio operation.



## **Owner's Manual with Assembly Instructions**

**For Models W6203 and W9417**

# IMPORTANT INFORMATION

- Read this manual carefully for important safety information and operating instructions before using your vehicle. Keep this manual for future reference, as it contains important information.
- The vehicle is designed for use on grass, asphalt, and other hard surfaces; on generally level terrain; and by children 3 years of age and older. Do not exceed the maximum weight capacity of 130 lbs (59 kg).
- Your new vehicle requires adult assembly. Please set aside 60 minutes for assembly.
- Use this vehicle **ONLY** outdoors. Most interior flooring can be damaged by riding this vehicle indoors. Fisher-Price® will not be responsible for damage to the floor if the vehicle is used indoors.
- You must charge your battery for 18-30 hours **before you use your vehicle for the first time**. We recommend charging your battery before beginning assembly. Please see the Battery Charging section for detailed instructions.
- The battery charger is not a toy.
- Do not short circuit the battery.
- **Adults Note:** Regularly examine the charger for damage to the cord, plug, housing or other parts that may result in the risk of fire, electric shock or injury. In the event of any damage, do not use the charger until the damage has been properly repaired.
- Your Power Wheels® 12 volt battery is equipped with a built-in thermal fuse. The thermal fuse is a self-resetting safety device which automatically “trips” and shuts down operation of the vehicle if the vehicle is overloaded or the driving conditions too severe. Once a fuse has “tripped”, release the button on the steering wheel and wait approximately 25 seconds before operating the vehicle again. To avoid repeated automatic shut-downs, avoid severe driving conditions.
- If a thermal fuse in a battery continually trips under normal driving conditions, please contact your local Power Wheels® Authorized Service Center.
- To prevent damaging the motors and gears, teach your child to stop the vehicle before switching direction.
- If you have any questions about your Power Wheels® vehicle, please call our toll-free service lines at **1-800-348-0751**. Trained customer service representatives are available to take your call in English or French. Habla Español? Si usted tiene alguna pregunta ó necesita asistencia llame gratis **1-800-348-0755** para los Estados Unidos. Tenemos representantes que hablan español para atender su llamada.
- For your convenience, Power Wheels® maintains an **independently owned and operated** Authorized Service Center Network with more than 300 authorized service centers nationwide. Our authorized service centers will repair or replace parts under warranty at no extra charge, and can perform non-warranty repairs for a minimal charge. To find the authorized service center nearest you, please visit us online at **www.powerwheels.com** or call **1-800-348-0751**.
- Please visit us online at **www.powerwheels.com** to register your vehicle.

# IMPORTANT INFORMATION

## ELECTRICAL HAZARD

### WARNING

- Battery can fall out and injure a child if vehicle tips over. Always use battery retainer.
- **PREVENT FIRE**
  - Never modify the electrical system. Alterations could cause a fire resulting in serious injury and could also ruin the electrical system.
  - Use of the wrong type battery or charger could cause a fire or explosion resulting in serious injury.
  - Use of Power Wheels® components in products other than Power Wheels® vehicles could cause overheating, fire or explosion.
- The battery must be handled by adults only. The battery is heavy and contains sulfuric acid (electrolyte). Dropping the battery could result in serious injury.
- Never allow children to charge the battery. Battery charging must be done by adults only. A child could be injured by the electricity involved in charging the battery.
- Read the safety instructions on the battery.
- Examine the battery, charger and their connectors for excessive wear or damage each time you charge the battery. If damage or excessive wear is detected, do not use the charger or the battery until you have replaced the worn or damaged part.
- **HOT** motors. Handle carefully.

## RIDING HAZARD

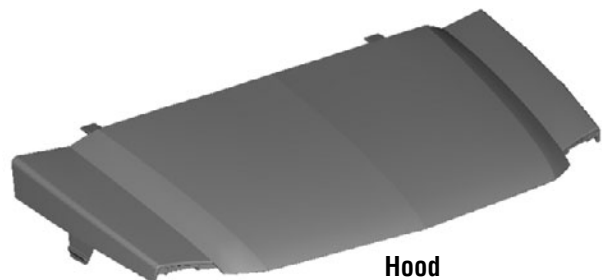
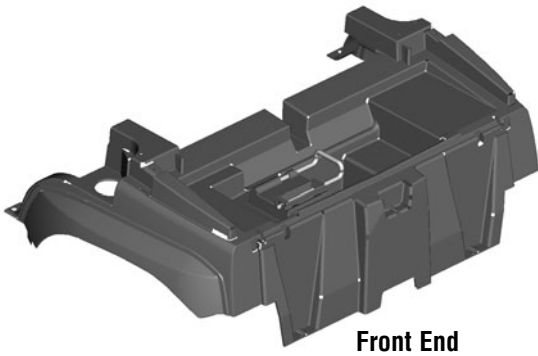
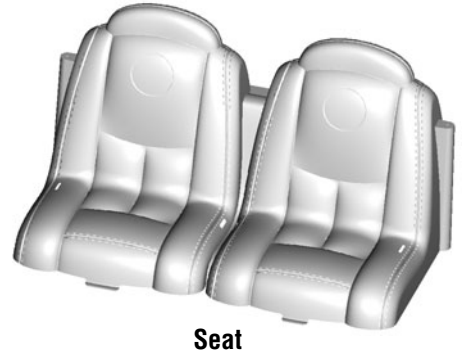
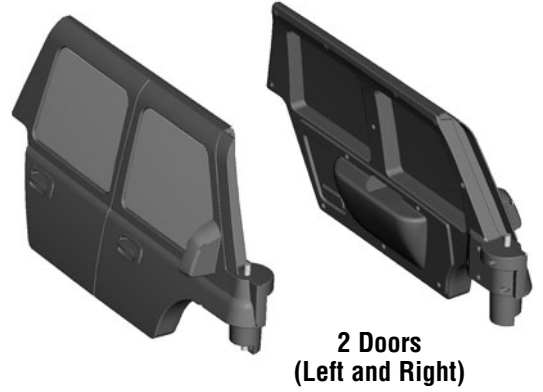
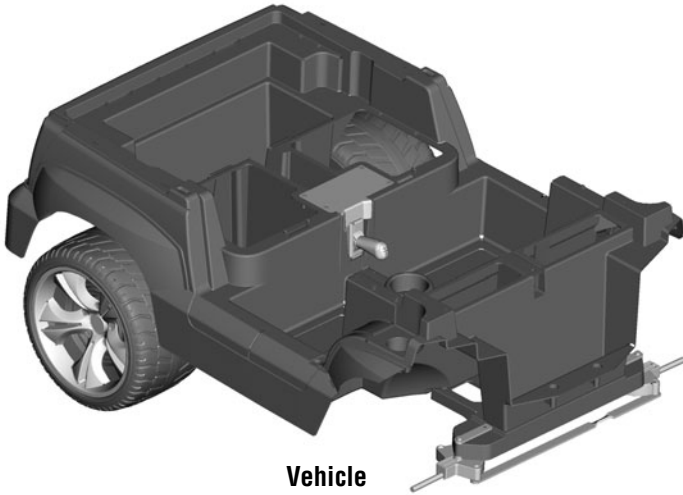
### WARNING

- **Prevent Injuries and Deaths**
  - Direct Adult Supervision Required
  - Never Ride at Night.
  - Keep Children Within Safe Riding Areas.  
These areas must be:
    - away from swimming pools and other bodies of water to prevent drownings
    - generally level to prevent tipovers
    - away from steps, steep inclines, cars, roads and alleys.
  - Riding Rules  
Make sure children know and follow these rules for safe driving and riding.
    - Always sit on the seat.
    - Always wear shoes.
    - Only 2 (two) riders at a time.

# PARTS

- If you experience a problem with this product, or are missing a part, please call us at **1-800-348-0751**, rather than return this product to the store.
- Please identify all parts before assembly and save all packaging material until assembly is complete to ensure that no parts are discarded.

**Note:** Some parts of this product have been packed with a protective foam cover. After removing the foam cover, you may notice a cloudy film on the parts. Wipe these parts with a clean, dry, soft cloth to remove this residue.



# PARTS



**Steering Column**



**2 Front Wheels  
(Left and Right)**



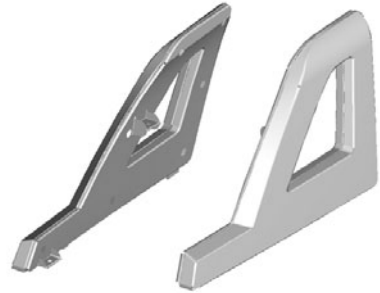
**Steering Wheel**



**2 Wheel Covers**



**Speaker Box  
Assembly**



**2 Wings  
(Left and Right)**



**2 Headlights  
(Left and Right)**



**2 Headlight Covers  
(Left and Right)**



**2 Door Plates**



**Steering Column Cap**



**2 Taillights  
(Left and Right)**



**Steering Wheel Cap**



**2 Bushings**



**2 Hubcaps**

# PARTS



**2 Short Seat Belts**



**12 Volt Battery**



**12 Volt Charger**



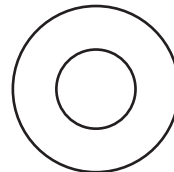
**Long Seat Belt**



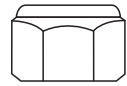
**Assembly Tool**



**Key Assembly**



**$\frac{7}{16}$ " (1,1 cm)  
Washer – 2**



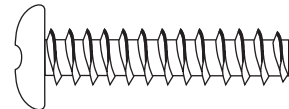
**$\frac{3}{8}$ " (1cm)-16  
Lock Nut – 2**



**$\frac{5}{32}$ " x  $1\frac{1}{2}$ " Pin – 1**



**#8 x  $\frac{3}{4}$ " (1,9 cm) Screw – 34**

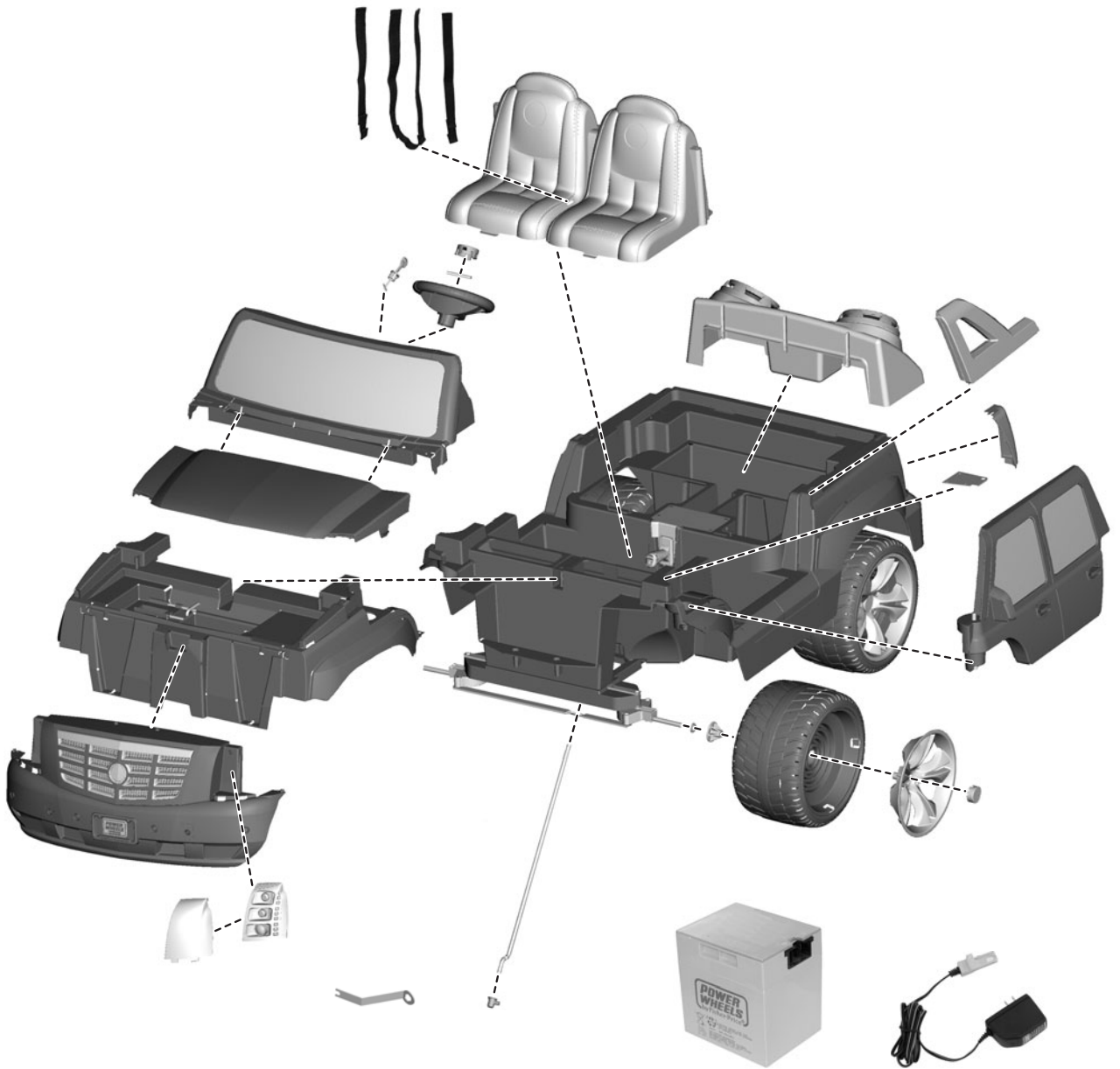


**$\frac{1}{4}$ " (0,6 cm) x  $1\frac{1}{4}$ " (3,2 cm) Screw – 2**

**Fasteners Shown Actual Size**

**For your convenience, we included extra fasteners!  
Note: Tighten and loosen all screws with a Phillips  
screwdriver. Do not over-tighten the screws.**

# PARTS PICTURE



**Note:** Some parts shown are assembled on both sides of the vehicle.

# BATTERY CHARGING

## ELECTRICAL HAZARD

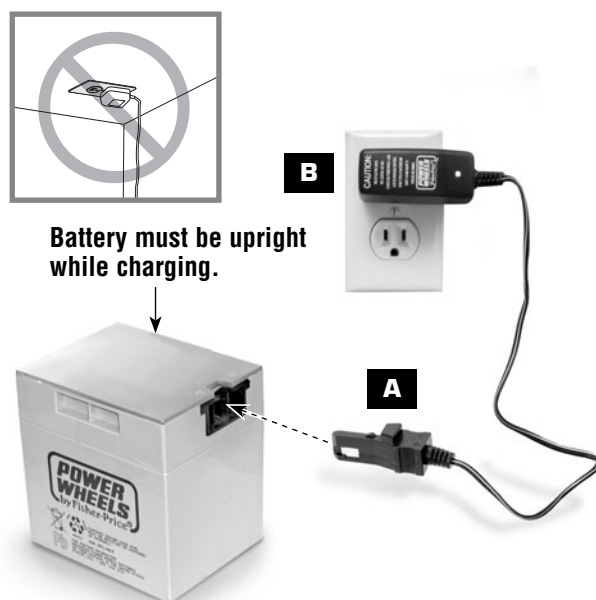
### **WARNING**

- Battery can fall out and injure a child if vehicle tips over. Always use battery retainer.
- **PREVENT FIRE**
  - Never modify the electrical system. Alterations could cause a fire resulting in serious injury and could also ruin the electrical system.
  - Use of the wrong type battery or charger could cause a fire or explosion resulting in serious injury.
  - Use of Power Wheels® components in products other than Power Wheels® vehicles could cause overheating, fire or explosion.
- The battery must be handled by adults only. The battery is heavy and contains sulfuric acid (electrolyte). Dropping the battery could result in serious injury.
- Never allow children to charge the battery. Battery charging must be done by adults only. A child could be injured by the electricity involved in charging the battery.
- Read the safety instructions on the battery.
- Examine the battery, charger and their connectors for excessive wear or damage each time you charge the battery. If damage or excessive wear is detected, do not use the charger or the battery until you have replaced the worn or damaged part.

### **CAUTION**

Use the charger in dry locations only.

- **Make sure you charge the battery for at least 18 hours using the enclosed Power Wheels® 12 volt charger before operating your vehicle for the first time.** Charge the battery for at least 14 hours after each use of the vehicle. Never charge the battery longer than 30 hours. Failure to follow these instructions may damage your battery and will void your warranty.
- Use only a Power Wheels® 12 volt charger with “12V” connector (input 120 VAC, 60Hz, with an output of 12 VDC) to charge your Power Wheels® 12 volt battery.



- Plug the charger connector into the battery **A**.
- Plug the charger into a standard wall outlet **B**.

#### Notes:

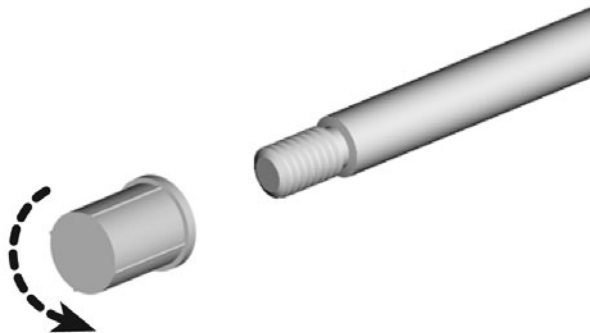
- Battery must be upright while charging.
- If power flow to the wall outlet is controlled by a switch, make sure the switch is “ON”.
- Use the charger only in a wall outlet. Do not plug the charger into a ceiling outlet.
- Before charging the battery, examine the battery case for cracks and other damage which may cause sulfuric acid (electrolyte) to leak during the charging process. If damage is detected, do not charge the battery or use it in your vehicle. Battery acid is very corrosive and can cause severe damage to surfaces it contacts.
- You do not need to remove the battery from your vehicle to recharge it.
- Do not place the battery on a surface (such as kitchen counter tops) which could be damaged by the acid contained inside the battery. Take precautions to protect the surface on which you place your battery.
- Charge the battery in a well ventilated area.
- Once the battery is charged, disconnect the charger from the battery. Unplug the charger from the wall outlet. Refer to the Battery Installation section for instructions to install your battery. If your battery is already installed in your vehicle, simply re-connect the motor harness connector to the battery.



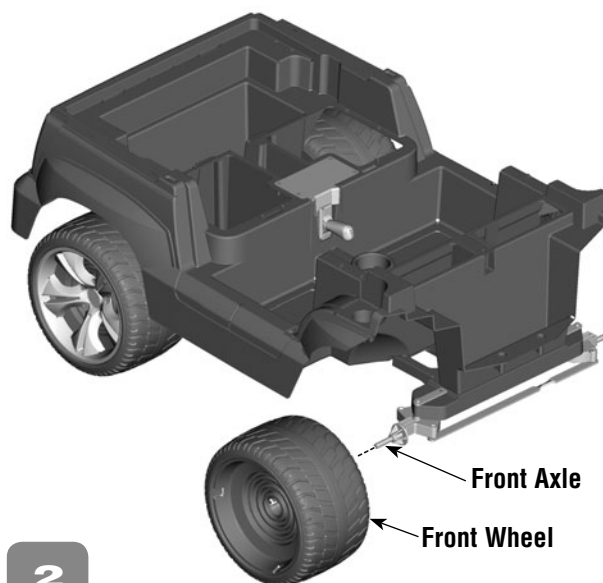
# ASSEMBLY

## **WARNING**

Children can be harmed by small parts, sharp edges and sharp points in the vehicle's unassembled state, or by electrical items. Care should be taken in unpacking and assembly of the vehicle. Children should not handle parts, including the battery, or help in assembly of the vehicle.



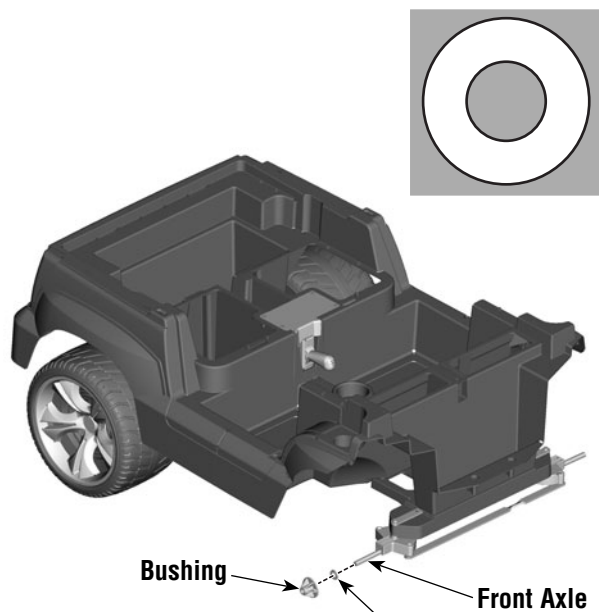
**Note:** Protective caps have been added to the threaded metal parts to prevent damage during shipping. Please remove and throw the caps away.



**2**

**Hint:** There is a right and a left front wheel. Place the right wheel (marked R) on the passenger side of the vehicle, and the left wheel (marked L) on the driver side of the vehicle.

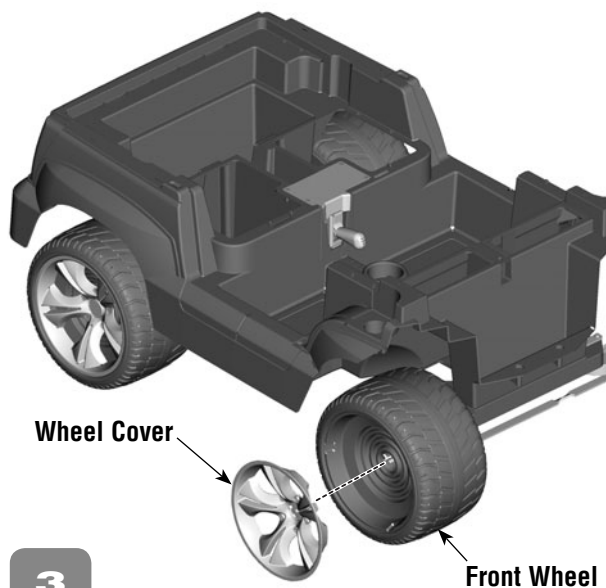
- Place a front wheel onto each front axle.



**1**

**RIGHT SIDE VIEW**

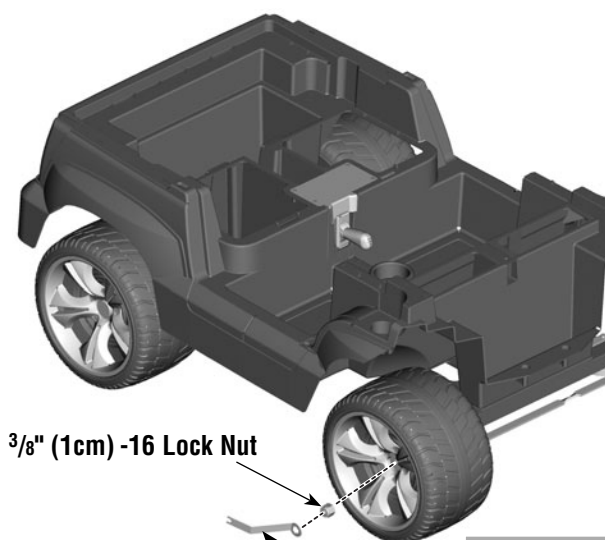
- Slide a  $\frac{7}{16}$ " (1,1 cm) washer onto a front axle.
- Fit a bushing (flat side first) onto the front axle.
- Repeat this procedure to assemble the other  $\frac{7}{16}$ " (1,1 cm) washer and bushing to the other front axle.



**3**

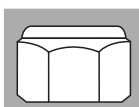
- Fit a wheel cover onto each front wheel.

# ASSEMBLY



$\frac{3}{8}$ " (1cm) -16 Lock Nut

Assembly Tool

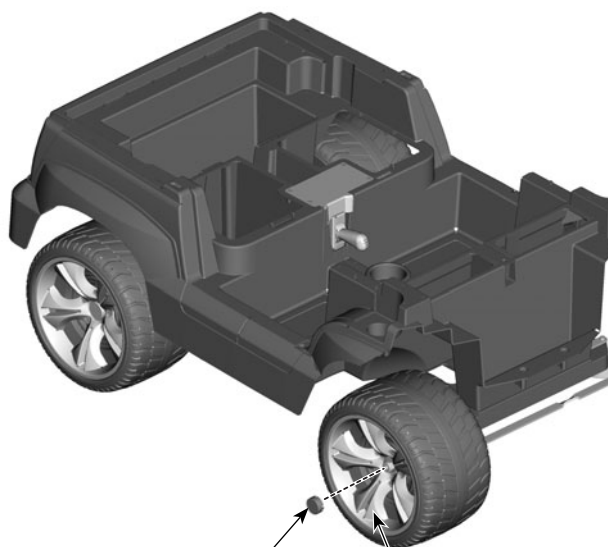


4

- Place a  $\frac{3}{8}$ " (1cm) -16 lock nut (rounded side out) onto a front axle.

**IMPORTANT:** Tighten the lock nut firmly using the closed end of the assembly tool.

- Repeat this procedure to fasten the other front wheel assembly with the other  $\frac{3}{8}$ " (1cm) -16 lock nut.

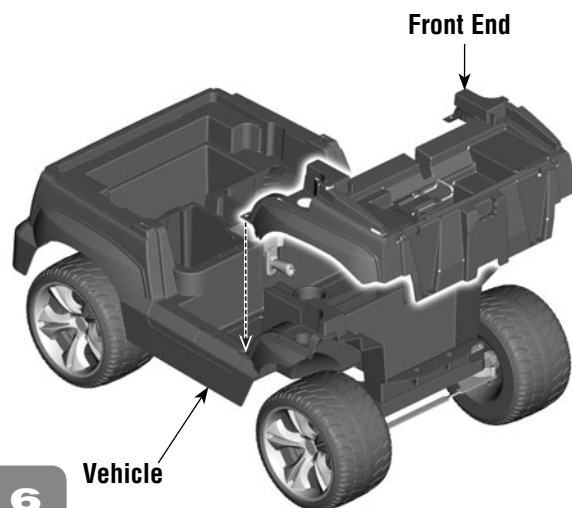


Hubcap

Wheel Cover

5

- Align the slot in a hubcap with the rib in the wheel cover. **"Snap"** a hubcap into the center of each wheel cover.

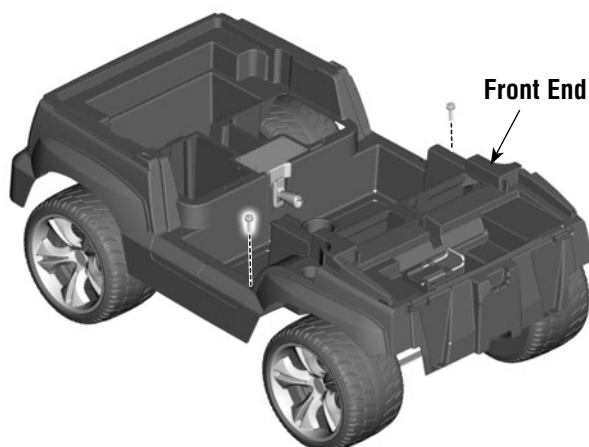


Front End

Vehicle

6

- Fit the front end onto the vehicle.
- Insert the tabs on the back edge of the front end into the slots in the vehicle.



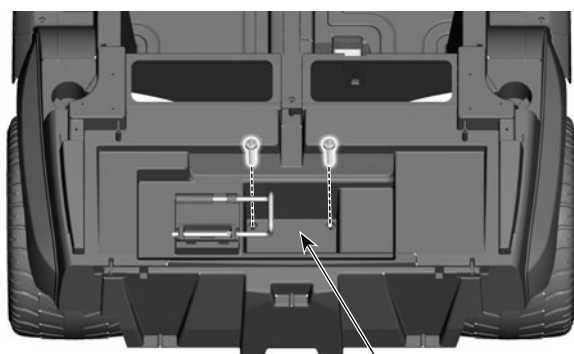
Front End

7



- Insert two #8 x  $\frac{3}{4}$ " (1,9 cm) screws through the front end and into the vehicle. Tighten the screws.

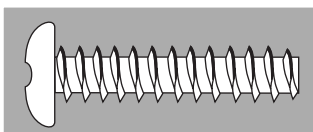
# ASSEMBLY



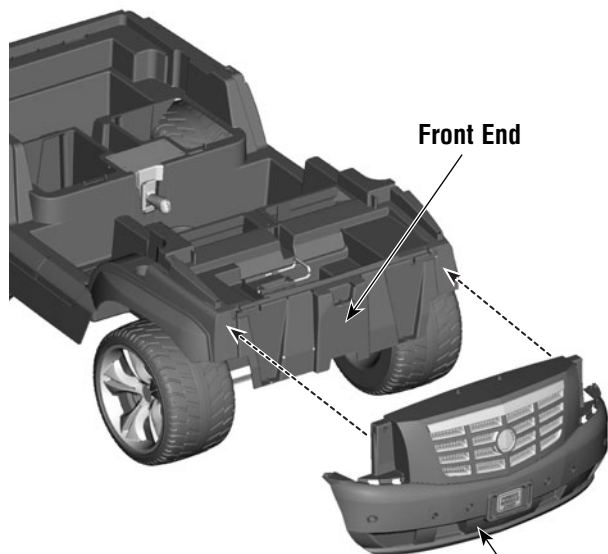
Battery  
Compartment

8

TOP VIEW



- Insert two 1/4" (0,6 cm) x 1 1/4" (3,2 cm) screws inside of the battery compartment and into the front end of the vehicle. Tighten the screws.



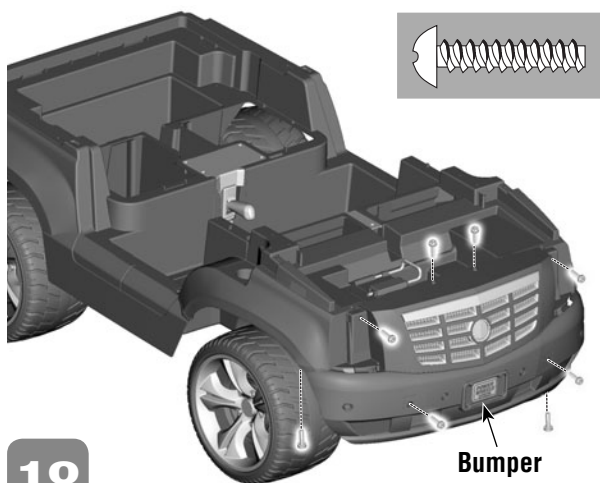
Front End

Bumper

9

RIGHT SIDE VIEW

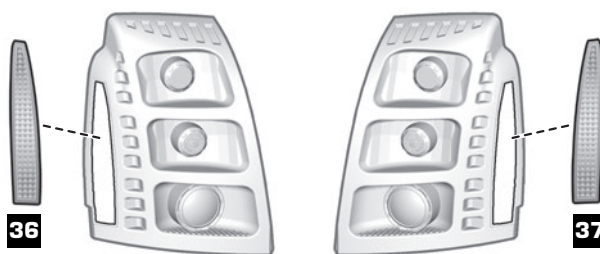
- Fit the bumper onto the front end.



Bumper

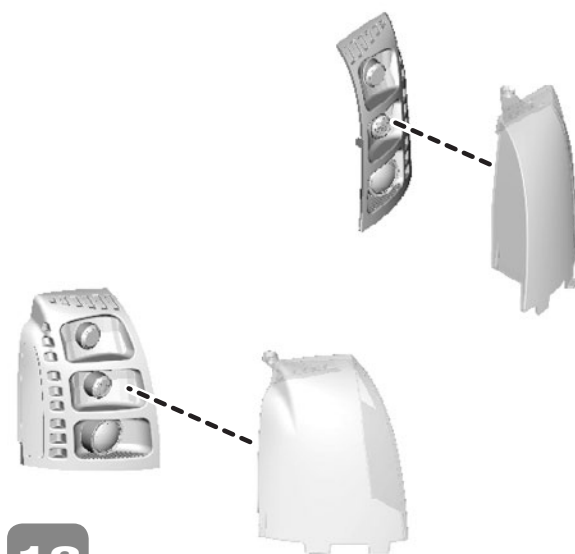
10

- Insert eight #8 x 3/4" (1,9 cm) screws into the bumper and tighten.



11

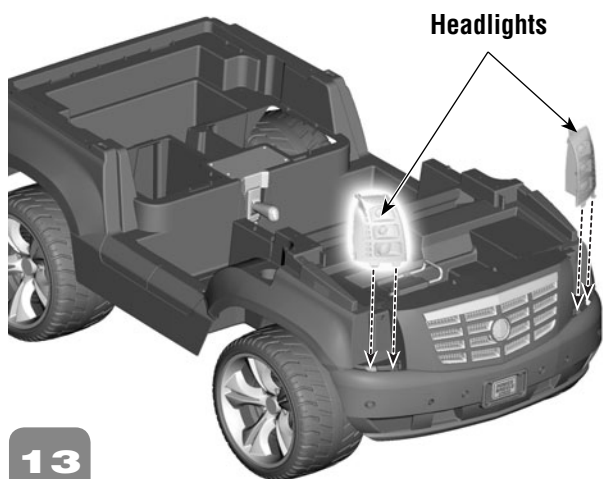
- Apply the labels to the headlights.
- Before applying the labels, wipe the surface of the vehicle with a clean, dry cloth to remove any dust or oils.
- Place the labels exactly as shown in the illustration.
- For best results, avoid repositioning a label once it has been applied to the vehicle.



12

- "Snap" each headlight into the headlight cover.
- Hint:* There is a left and right headlight and headlight cover.

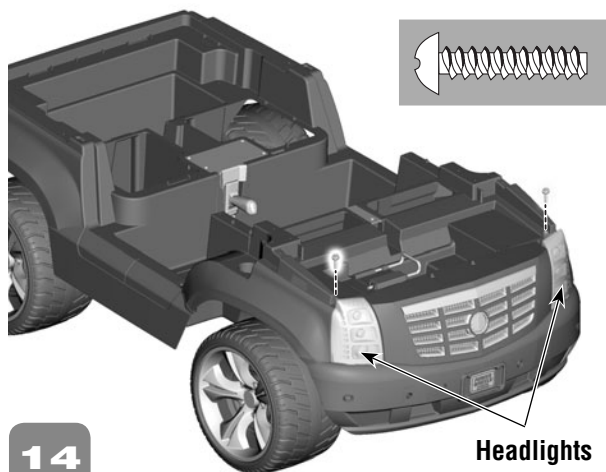
## ASSEMBLY



13

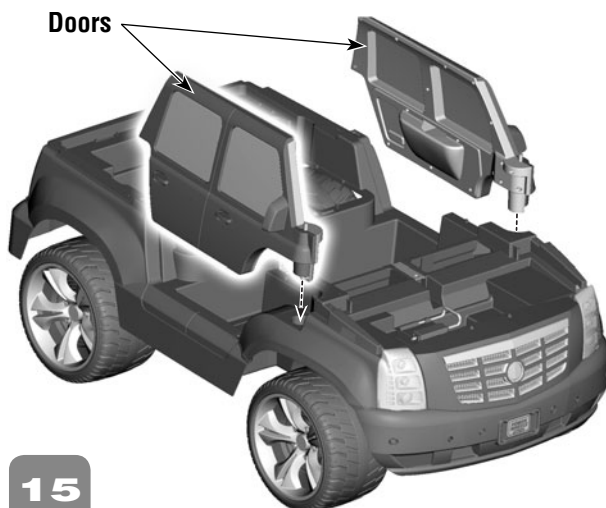
- Fit the headlights (left and right) onto the bumper.

**Hint:** Headlights only fit one way. If they do not seem to fit, try the other side.



14

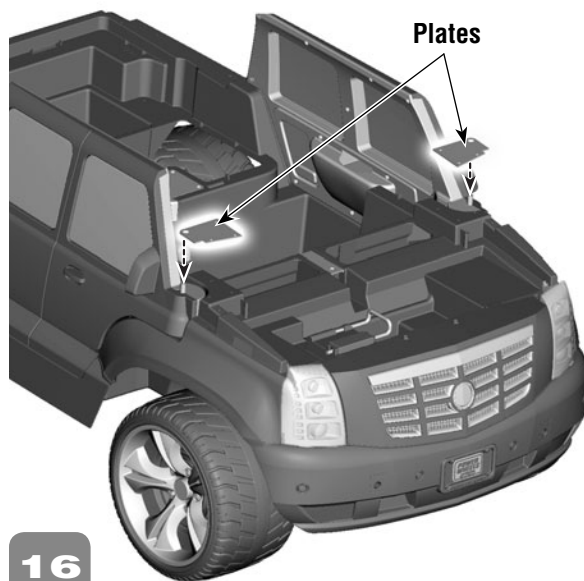
- Insert a #8 x 3/4" (1,9 cm) screw into the top edge of each headlight. Tighten each screw.



15

- Fit the door pegs onto the holes near the front end of the vehicle.

**Hint:** There is a left and right door. They are designed to be assembled one way.



16

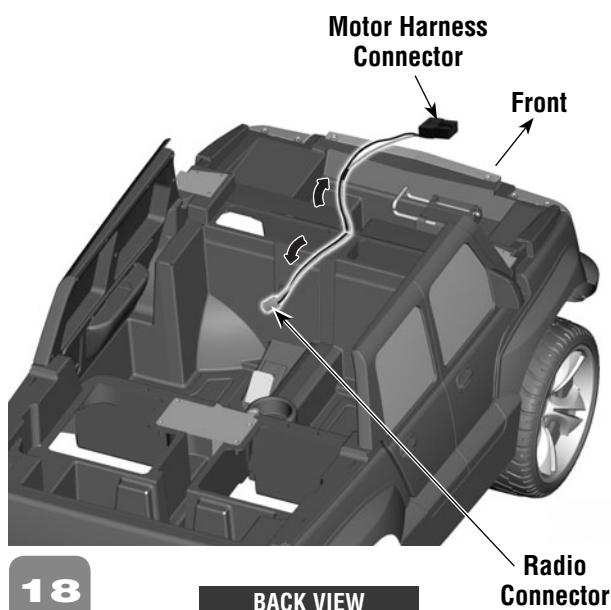
- Fit the large hole on the plates to the door posts.
- Align the holes in the plates with the holes in the top side of the vehicle.



17

- Insert three #8 x 3/4" (1,9 cm) screws into each plate and tighten.

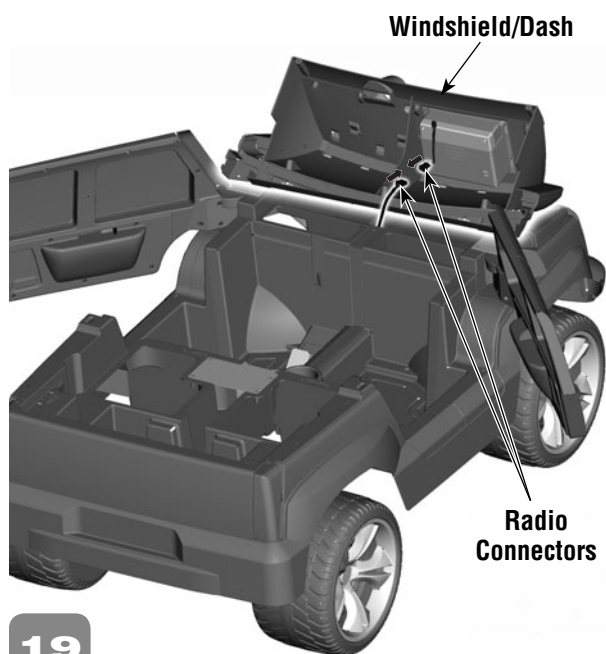
# ASSEMBLY



18

BACK VIEW

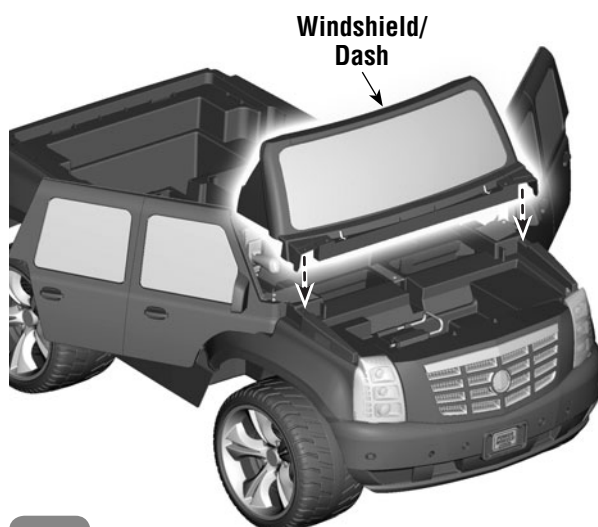
- Separate the radio connector wires from the motor harness connector.
- Position the motor harness connector towards the front of the vehicle and into the battery compartment.
- Position the radio connector wires toward the back of the vehicle.



19

- Open the doors on the vehicle.
- Place the windshield/dash on top of the front end of the vehicle.
- Plug both radio connectors together.

**Hint:** If the connectors do not fit together, do not force them. Simply turn one of them over and try again!



20

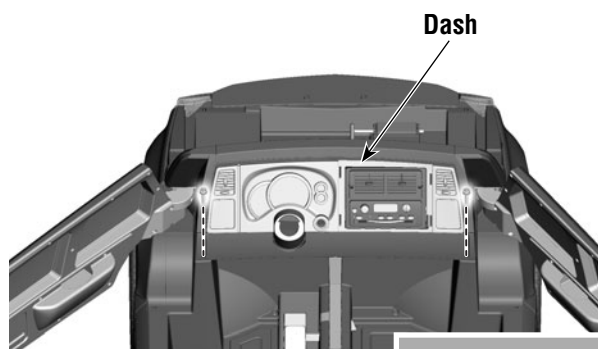
FRONT VIEW

- Fit the tabs on the windshield/dash into the slots in the front end of the vehicle.



21

- Insert four #8 x 3/4" (1,9 cm) screws into the base of the windshield/dash. Tighten the screws.



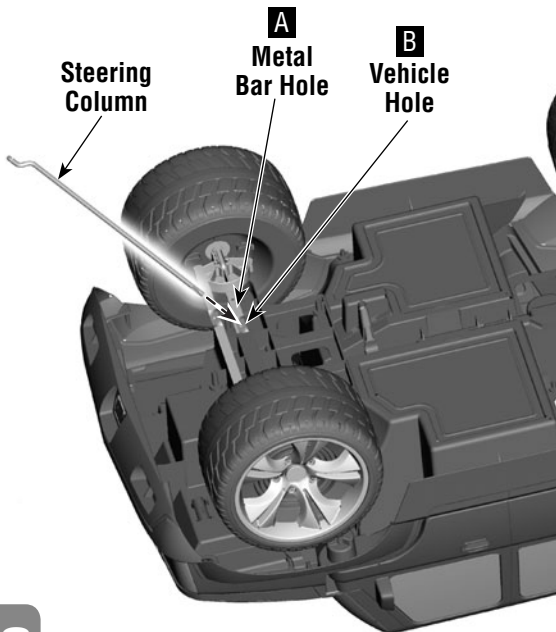
22

DASH VIEW

- Insert a #8 x 3/4" (1,9 cm) screw into the side of the windshield/dash. Tighten the screw.
- Close the doors on the vehicle.

# ASSEMBLY

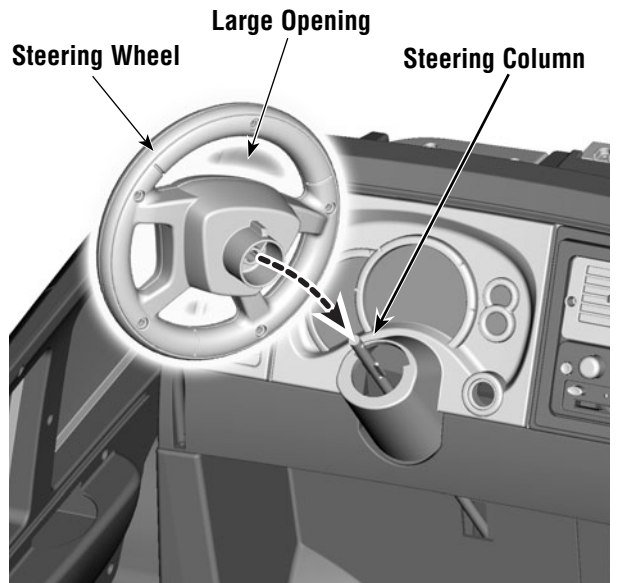
**IMPORTANT!** Turn the vehicle on its side or over to complete assembly steps 23-28.



**23**

**BOTTOM VIEW**

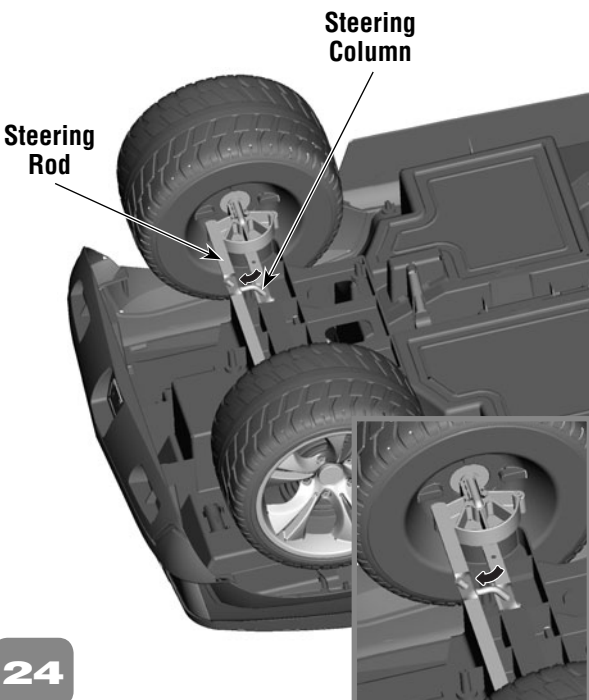
- Wipe the steering column with a paper towel to remove any excess lubricant.
- First, insert the straight end of the steering column down through the hole in the metal bar **A**; then through the hole in the vehicle floor **B**; and finally, out through the hole in the dash.



**25**

**DASH VIEW**

- Position the steering wheel so that the large opening is UP.
- Fit the steering wheel onto the steering column.



**24**

- Insert the curved end of the steering column through the hole in the steering rod.

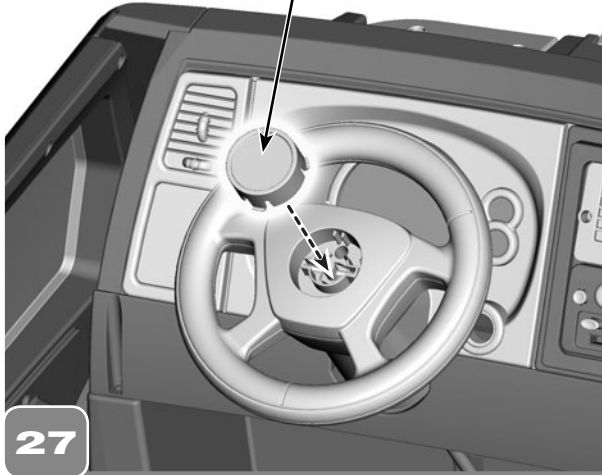


**26**

- While pressing down on the steering wheel, grasp the steering column under the dash and pull it up as far as it will go.
- Insert the  $\frac{5}{32}$ " x  $1\frac{1}{2}$ " pin through the hole in the steering column.
- Grasp the steering column again and pull down to fit the pin into the center of the steering wheel.

# ASSEMBLY

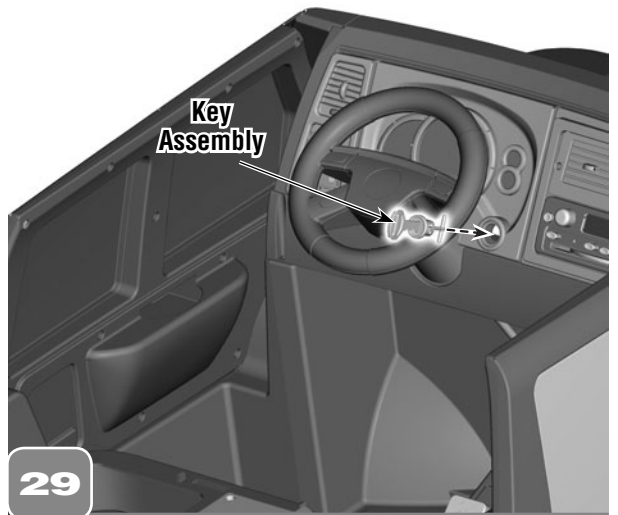
Steering Wheel Cap



27

- Insert and **"snap"** the steering wheel cap into the center of the steering wheel.

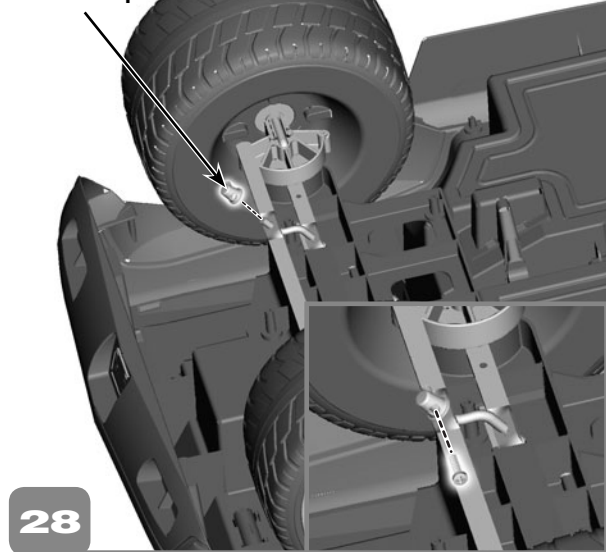
Key Assembly



29

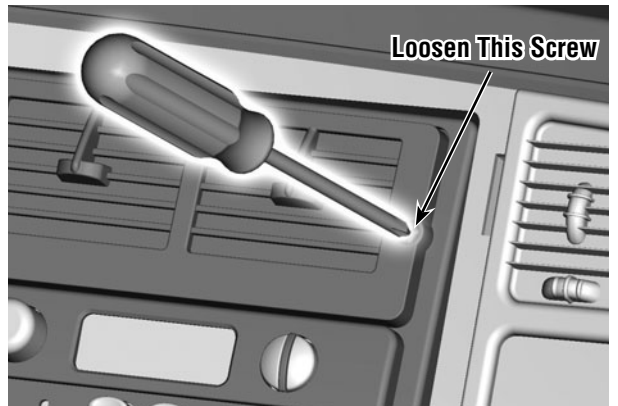
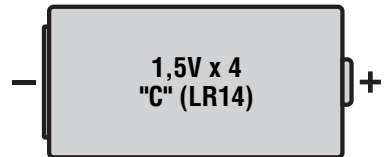
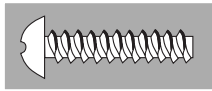
- Insert and **"snap"** the key assembly into the slot in the dash.

Steering Column Cap



28

- Fit the steering column cap onto the end of the steering column.
- Insert a #8 x 3/4" (1,9 cm) screw through the large opening in the steering column cap and into the hole in the steering column. Tighten the screw.
- Turn the vehicle upright.



Loosen This Screw

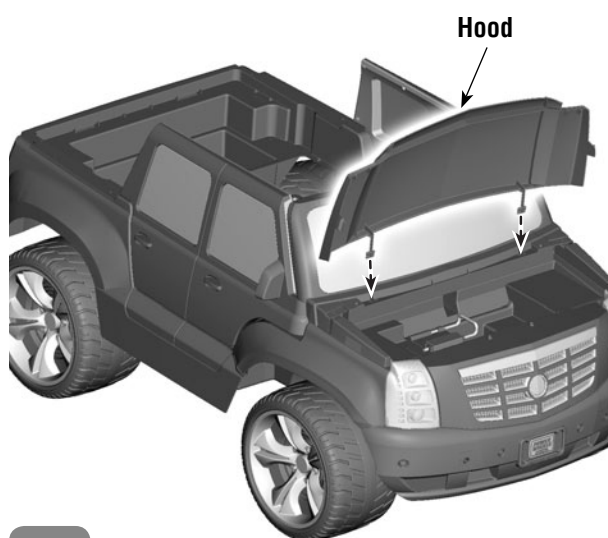
- Locate the FM Radio on the dash.
- Loosen both screws in the battery compartment door.
- Remove the battery compartment door.
- Insert four, new "C" (LR14) **alkaline** batteries.
- *Hint: We recommend using **alkaline** batteries for longer battery life.*
- Replace the battery compartment door and tighten the screws.
- When sounds become faint or stop, it's time for an adult to change the batteries! Please refer to page 23 for FM Radio use.

# ASSEMBLY

## Battery Safety Information

In exceptional circumstances, batteries may leak fluids that can cause a chemical burn injury or ruin your product. To avoid battery leakage:

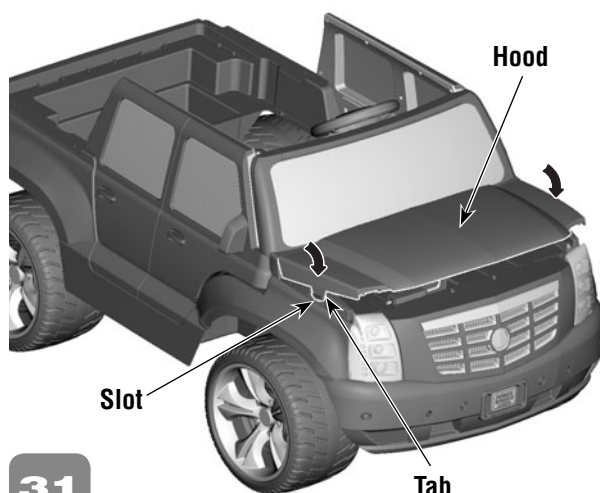
- Do not mix old and new batteries or batteries of different types: alkaline, standard (carbon-zinc) or rechargeable (nickel-cadmium).
- Insert batteries as indicated inside the battery compartment.
- Remove batteries during long periods of non-use. Always remove exhausted batteries from the product. Dispose of batteries safely. Do not dispose of product in a fire. The batteries may explode or leak.
- Never short-circuit the battery terminals.
- Use only batteries of the same or equivalent type, as recommended.
- Do not charge non-rechargeable batteries.
- Remove rechargeable batteries from the product before charging.
- If removable, rechargeable batteries are used, they are only to be charged under adult supervision.



30

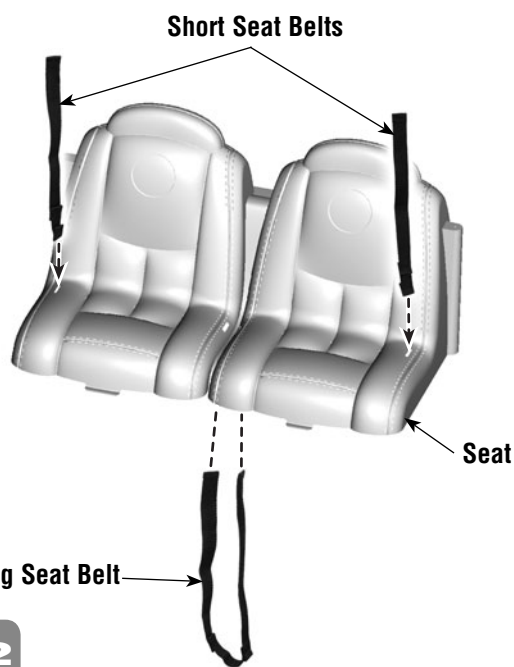
FRONT VIEW

- Fit the long tabs on the hood into the slots in the front end of the vehicle.



31

- Lower and fit the side tabs on the hood into the slots on each side of the front end of the vehicle.



32

- Insert the fastener end of a short seat belt strap through the slot near the outer edge of the seat. Make sure the side of the seat belt with the fastener faces the outer edge of the seat.
- Pull the short seat belt strap completely through the slot until the last T-loop at the opposite end of the belt catches against the slot. You will pull one T-loop through the slot.
- Repeat this procedure to assemble the other short seat belt strap.
- Insert each fastener end of the long seat belt strap through a slot in the center of the seat. Make sure the fasteners face the outer edge of the seat.
- Pull each side of the long seat belt strap evenly through the slots. Make sure to pull each T-loop through a slot.



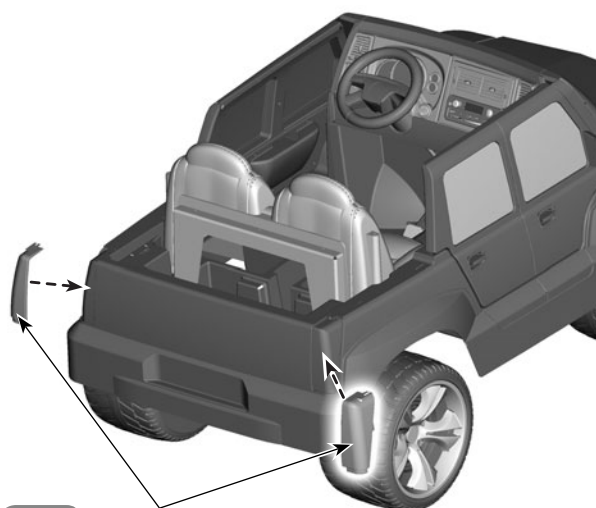
# ASSEMBLY



**33**

**TOP VIEW**

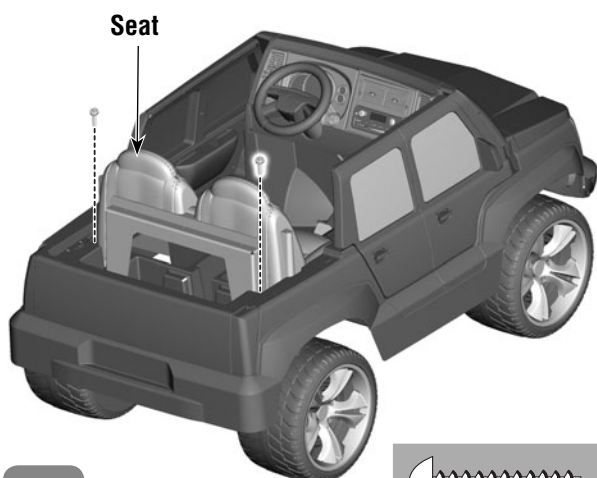
- Insert the two tabs on the front edge of the seat into the slots in the vehicle.



**35**

**Taillights**

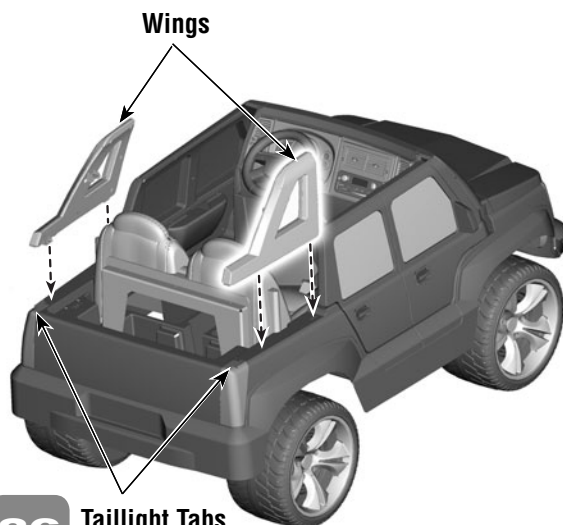
- Fit the taillights (left and right) onto the rear of the vehicle.



**34**

**BACK VIEW**

- Insert two #8 x 3/4" (1,9 cm) screws into the back of the seat. Tighten the screws.



**36**

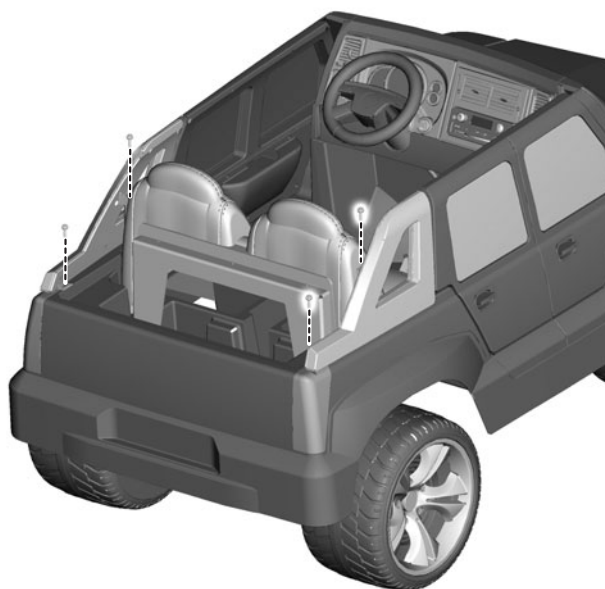
**Taillight Tabs**

- Fit the wing tabs into the slots in the top edge near the rear of the vehicle.

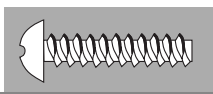
**Hints:**

- There is a left and right wing. They are designed to be assembled one way.
- Make sure the tabs on the top of the taillights fit into the bottom of each wing.

# ASSEMBLY



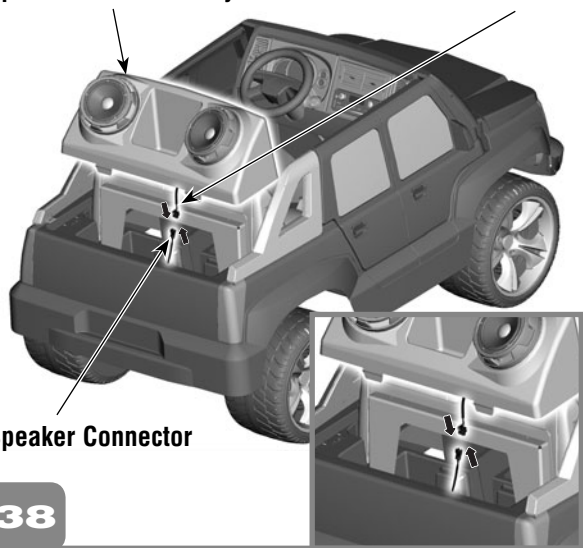
37



- Insert two #8 x 3/4" (1,9 cm) screws into each wing. Tighten the screws.

Speaker Box Assembly

Speaker Connector

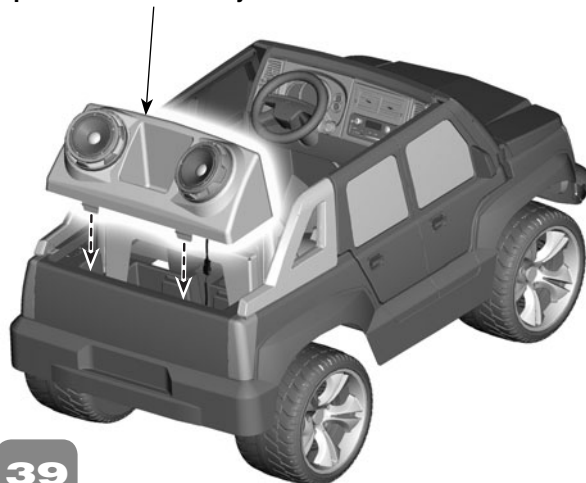


38

- Position the speaker box assembly over the back end of the vehicle.
- Plug both speaker connectors together.

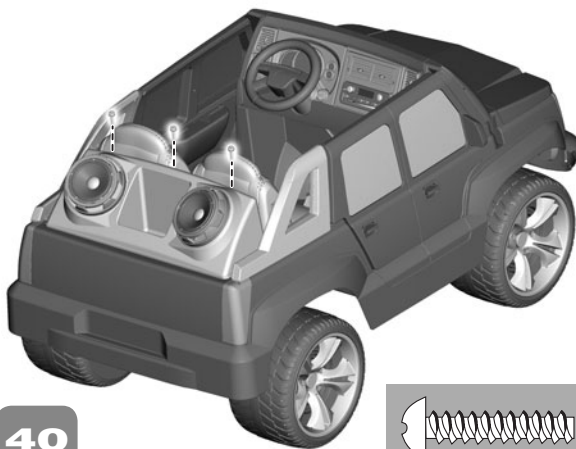
**Hint:** If the connectors do not fit together, do not force them. Simply turn one of them over and try again!

Speaker Box Assembly

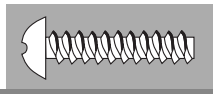


39

- Fit the speaker box assembly onto the vehicle.



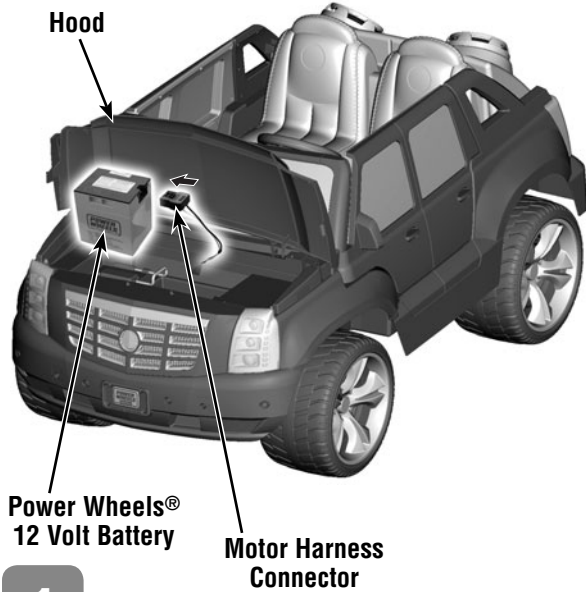
40



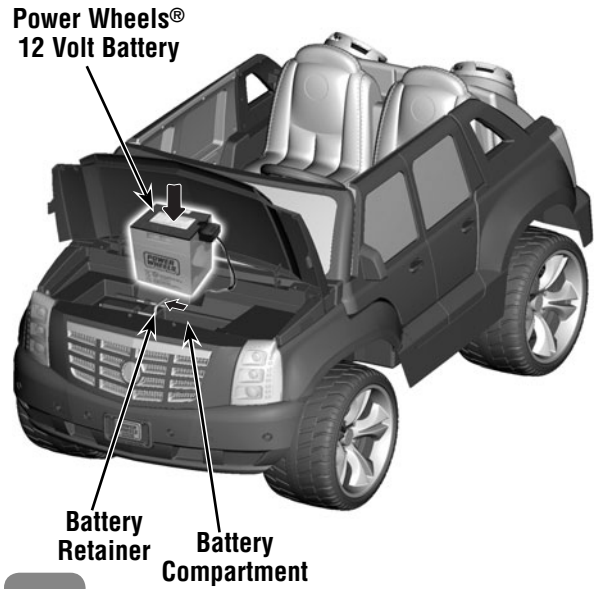
- Insert three #8 x 3/4" (1,9 cm) screws into the top of the speaker assembly. Tighten the screws.

# BATTERY INSTALLATION

**IMPORTANT!** Use only a Power Wheels® 12 volt, rechargeable battery and built-in thermal fuse. Use of any other battery will damage your vehicle. Make sure that you charge the battery for at least 18 hours using the enclosed Power Wheels® 12 volt charger before operating your vehicle for the first time. Charge the battery for at least 14 hours after each use of the vehicle. Never charge the battery longer than 30 hours. Failure to follow these instructions may damage your battery and will void your warranty.



- Lift the hood to access the battery compartment.
- Plug the motor harness connector into the 12 volt battery.



- Push the battery retainer.
- Place the 12 volt battery into the battery compartment. Make sure the battery retainer slides over the battery.
- To close the hood, fit the tabs on the front end of the hood into the slots on each side of the front end of the vehicle.

## BATTERY CARE

If a battery leak develops, avoid contact with the leaking acid and place the damaged battery in a plastic bag. See next section for proper disposal.

If acid comes in contact with skin or eyes, flush with cool water for at least 15 minutes and call a physician.

If acid is internally ingested, give water, milk of magnesia or egg whites immediately. Never give emetics or induce vomiting. Call a physician.

- Do not allow the battery to run down completely before charging.
- Charge the battery before storing the vehicle, and at least once per month, even if the vehicle has not been used.
- Charge the battery after each use, regardless of how long the vehicle was used.
- Leaving the battery in a discharged condition will ruin it.
- Always remove an exhausted battery from the vehicle. Battery leakage and corrosion can damage the vehicle.
- Do not store the battery in temperatures above 75° F or below -10° F.

## BATTERY DISPOSAL



- Your Power Wheels® battery is a non-spillable sealed lead-acid battery. It must be recycled or disposed of in an environmentally sound manner.
- Do not dispose of a lead-acid battery in a fire. The battery may explode or leak.
- Do not dispose of a lead-acid battery in your regular, household trash. The incineration, landfilling or mixing of sealed lead-acid batteries with household trash is prohibited by law in most areas.
- Protect the environment by not disposing of this product with household waste (2002/96/EC). Check your local authority for recycling advice and facilities.
- Return an exhausted battery to a federal or state approved lead-acid battery recycler, such as a Power Wheels® authorized service center or a local seller of automotive batteries. For the authorized service center location nearest to you, please visit us online at [www.powerwheels.com](http://www.powerwheels.com) or call 1-800-348-0751. Contact your local waste management officials for other information regarding the environmentally sound collection, recycling and disposal of lead-acid batteries. If you live in the State of Florida or the State of Minnesota, it is prohibited by law for anyone to throw away lead-acid batteries in the municipal waste stream.

## VEHICLE CARE

- Check all screws and their protective coverings regularly and tighten as required. Check plastic parts on a regular basis for cracks or broken pieces.
- During snowy or rainy weather, the vehicle should be stored inside or under a protective cover.
- Avoid operating the vehicle in wet or snowy conditions, and do not spray the vehicle with a hose. Water or moisture in the motors or electrical switches can cause them to corrode, and could cause switch or motor failure.
- Avoid operating the vehicle on sand, loose dirt or gravel. Sand, loose dirt or gravel in the motors or electrical switches can cause them to jam, and could cause switch or motor failure.
- The vehicle can be wiped down with a soft, dry cloth. For a shiny finish, you can wipe plastic parts with a non-wax furniture polish applied to a soft cloth. Do not use automotive wax. Do not use soap and water or spray the vehicle with a hose.
- To ensure your vehicle stays in good operating order, we recommend you periodically have your vehicle checked by a Power Wheels® authorized service center.

## FCC STATEMENT

### United States Only

This equipment has been tested and found to comply with the limits for a Class B digital device, pursuant to Part 15 of the FCC Rules. These limits are designed to provide reasonable protection against harmful interference in a residential installation. This equipment generates, uses and can radiate radio frequency energy and, if not installed and used in accordance with the instructions, may cause harmful interference to radio communications. However, there is no guarantee that interference will not occur in a particular installation. If this equipment does cause harmful interference to radio or television reception, which can be determined by turning the equipment off and on, the user is encouraged to try to correct the interference by one or more of the following measures:

- Reorient or relocate the receiving antenna.
- Increase the separation between the equipment and receiver.
- Connect the equipment into an outlet on a circuit different from that to which the receiver is connected.
- Consult the dealer or an experienced radio/TV technician for help.

Note: Changes or modifications not expressly approved by the manufacturer responsible for compliance could void the user's authority to operate the equipment.

This device complies with Part 15 of the FCC Rules. Operation is subject to the following two conditions: (1) this device may not cause harmful interference and (2) this device must accept any interference received, including interference that may cause undesired operation.

# SAFE DRIVING RULES

## RIDING HAZARD

### **WARNING**

#### • Prevent Injuries and Deaths

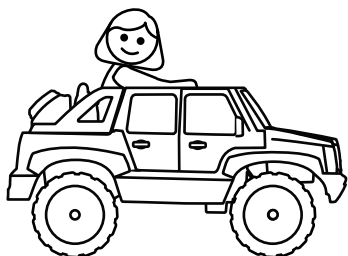
- Direct Adult Supervision Required
- Never Ride at Night.
- Keep Children Within Safe Riding Areas.

These areas must be:

- away from swimming pools and other bodies of water to prevent drownings
  - generally level to prevent tipovers
  - away from steps, steep inclines, cars, roads and alleys.
- #### • Riding Rules
- Make sure children know and follow these rules for safe driving and riding.
- Always sit on the seat.
  - Always wear shoes.
  - Only 2 (two) riders at a time.

Before children use this vehicle, an adult should carefully evaluate the driving area as well as the child's skill level and ability to drive the vehicle safely. Teach appropriate safety rules to your child before allowing operation of this vehicle. These rules should also be reviewed with other playmates who want to drive the vehicle.

- A child who is not sitting on the seat could fall off, cause a tip over or block the driver's view.
- Only operate the vehicle in the daytime in a well-lit area.
- Driving near steep inclines can cause:
  - The vehicle to gain unsafe speed, even if the button is released to stop.
  - The vehicle to tilt and tip over
  - The wheels to lose traction, causing the vehicle to slip.
  - The vehicle could roll backwards at an unsafe speed.
- Never put anything near any moving parts. Rotating parts, such as motors, gear boxes and wheels, can snag fingers, hair, etc., causing serious injury.
- Do not allow operation of the vehicle when it is on its side or in an upside-down position.
- Do not operate the vehicle near flammable vapors (gasoline, paint thinner, acetone, liquid wax, etc.). The vehicle's electrical switches, like most electrical switches, emit an internal spark when first turned on or turned off, which could cause an explosion or fire.
- To prevent unsupervised use of the vehicle, disconnect the motor harness from the battery when the vehicle is not in use.



**Use vehicle on generally level ground ONLY!**

# VEHICLE OPERATION

- Help your child practice steering to learn how far and how quickly to turn the steering wheel when driving, and automatically knows how to stop.

## Beginner Use - Low Speed

- As assembled, your vehicle is ready to roll in low speed (2½ mph, maximum). It has been pre-set so it will only operate in low speed. After your child has mastered the basic skills of driving and understands the rules for safe driving, it's time to remove the high speed lock-out screw to allow the vehicle to operate in low or high speed. See the instructions on this page to remove the high speed lock-out screw.

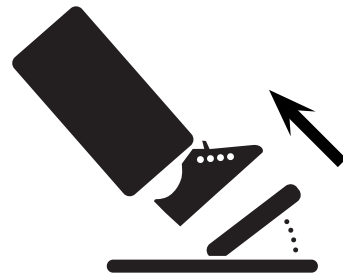


- Press down on the foot pedal.

**IMPORTANT!** To avoid damaging the motors and gears, stop the vehicle before shifting from forward to reverse.

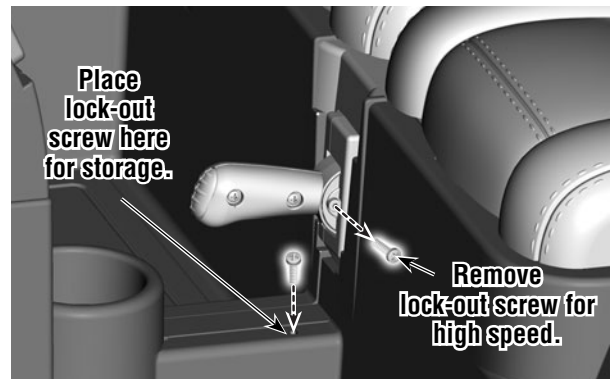
- Make sure the shifter is in the reverse position.
- Press down on the foot pedal. The vehicle is designed to operate in low speed only in reverse.

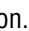
## STOP



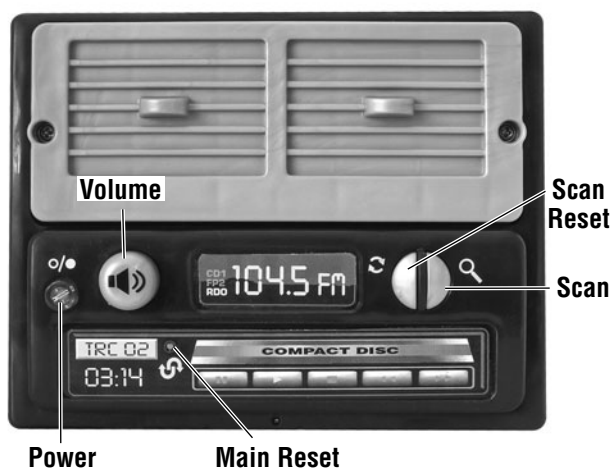
- Your vehicle has a patented, electronic braking system that automatically stops the vehicle when your child's foot lifts from the pedal.

## Advanced Use - High Speed





- Before you disconnect the high speed lock-out, make sure your child knows how to steer, how to start and stop the vehicle and knows the rules for safe driving. When the high speed lock-out is disconnected, the vehicle can be driven forward in low speed (2½ mph, maximum) or high speed (5 mph, maximum).
- Make sure the shifter is in the reverse  position.
- Loosen and remove the screw in the shifter box.
- Place the lock-out screw into the hole in the vehicle for future use. It can be re-inserted into the shifter box to lock-out high speed.

## FM RADIO USE






### Power/Volume

- Press the power button  to turn on or off.
- Turn the volume dial  to adjust to a comfortable listening level.

**Hint:** The FM Radio will turn off automatically after about one hour of non-use.

### FM Radio

- Press the scan button  to find a station.
- Press the scan button  again to go to the next station.
- To reset the radio to the first station, press the scan reset button .
- FM Radio reception varies from area to area. If the tuned station is lost due to poor reception, the radio automatically scans to the next station with good reception.

**Hint:** Each time power is turned off and back on, the FM Radio will reset to the first station.

**IMPORTANT!** If the FM Radio functions erratically, press the main reset button with the point of a pen (or similar object).

## LIMITED WARRANTY

### Bumper-to-Bumper\* Limited Warranty

**\*One year limited warranty from the date of purchase on the Power Wheels® vehicle.**

**Six month limited warranty on the 12 volt battery.**

For the original purchaser, this one year limited warranty covers the Power Wheels® ride-on vehicle (purchased from Power Wheels®) against defects in materials and workmanship. The six month limited warranty applies only to the 12 volt battery included by Power Wheels® with the original purchase of the vehicle.

This warranty covers normal use and does not cover the Power Wheels® vehicle or battery if damaged by unreasonable use, neglect, accident, abuse, misuse, improper service or other causes not arising out of defects in materials or workmanship. Evidence of any attempt at consumer repair will void this warranty. THIS WARRANTY DOES NOT COVER, AND IS INTENDED TO EXCLUDE, ANY LIABILITY ON THE PART OF POWER WHEELS®, WHETHER UNDER THIS WARRANTY OR IMPLIED BY LAW FOR ANY INDIRECT OR CONSEQUENTIAL DAMAGES FOR BREACH OF WARRANTY. SOME STATES DO NOT ALLOW THE EXCLUSION OR LIMITATION SO THIS LIMITATION MAY NOT APPLY TO YOU.

Should you need service or assistance with your vehicle during the warranty period, do not return the vehicle to the store. Power Wheels® has provided a nationwide network of authorized service centers. If there is not an authorized service center in your area, please visit us on-line at [www.powerwheels.com](http://www.powerwheels.com) or call Consumer Relations for information, 1-800-348-0751.

This warranty gives you specific legal rights, and you may also have other rights which may vary from state to state.

**PLEASE SAVE YOUR ORIGINAL SALES RECEIPT.**

### ICES-003

This Class B digital apparatus complies with Canadian ICES-003. Operation is subject to the following two conditions: (1) this device may not cause harmful interference and (2) this device must accept any interference received, including interference that may cause undesired operation.

### NMB-003

Cet appareil numérique de la classe B est conforme à la norme NMB-003 du Canada. L'utilisation de ce dispositif est autorisée seulement aux conditions suivantes : (1) il ne doit pas produire de brouillage et (2) l'utilisateur du dispositif doit être prêt à accepter tout brouillage radioélectrique reçu, même si ce brouillage est susceptible de compromettre le fonctionnement du dispositif.

# PROBLEMS AND SOLUTIONS GUIDE

**IMPORTANT!** If you experience a problem with your vehicle, first check the Problems and Solutions Guide below. If you still experience a problem, please contact Power Wheels® Consumer Relations, toll-free at **1-800-348-0751**. Or, contact your local Power Wheels® authorized service center. For the location nearest you, please visit us on-line at [www.powerwheels.com](http://www.powerwheels.com), or call **1-800-348-0751**.


| PROBLEM              | POSSIBLE CAUSE   | SOLUTION   |
|----------------------|--|--|
| Vehicle does not run | Undercharged battery   | Charge the battery. A new battery should have been charged for at least 18 hours before using the vehicle for the first time. After first-time use, recharge the battery for at least 14 hours after each use. Never charge the battery longer than 30 hours.  |
|                      |  | Check all connectors. Make sure the charger is tightly plugged into the battery, and that the charger is plugged into the wall.  |
|                      |  | Make sure power flow to the wall outlet is "ON".   |
|                      | Charger is not working   | There is no sure way to tell if your charger is working unless you have a volt meter. If you suspect there is a problem with your charger, contact your local Power Wheels® authorized service center. They can test your charger for you.   |
|                      | Tripped thermal fuse   | The built-in thermal fuse may "trip" and shut down operation of the vehicle if the vehicle is overloaded or the driving conditions too severe. Once a fuse has "tripped", remove your foot from the pedal and wait approximately 25 seconds before operating the vehicle again. To avoid repeated automatic shutdowns, do not overload the vehicle by exceeding the 130 lbs maximum weight capacity or by towing anything behind the vehicle. Do not drive up hills or run into fixed objects, which can cause the wheels to stop spinning while power is still being supplied to the motors. If a thermal fuse continually trips, contact your local Power Wheels® authorized service center. |
|                      | Loose wires or loose connectors  | Check all wires and connectors. Make sure the motor harness connector is tightly plugged into the battery and that there are no loose wires around the motors.   |
|                      | Dead battery   | If your battery is old or if you have not followed Battery Care instructions, your battery may be dead. If you are unsure whether or not the battery are dead, you can have it tested at your local Power Wheels® authorized service center.   |
|                      | Electrical switch damage   | The electrical switches can become corroded due to exposure to water or moisture, or can jam due to loose dirt, sand or gravel. Contact your local Power Wheels® authorized service center for diagnosis and repair.   |
| Motor damage         | Contact your local Power Wheels® authorized service center for diagnosis and repair. |  |



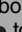
# PROBLEMS AND SOLUTIONS GUIDE

| PROBLEM  | POSSIBLE CAUSE                                 | SOLUTION   |
|--|--|--|
| Vehicle was running but suddenly stopped             | Loose wires or loose connectors                | Check all wires and connectors. Make sure the motor harness connector is tightly plugged into the battery, and that there are no loose wires around the motors.  |
|  | Tripped thermal fuse                           | The built-in thermal fuse may "trip" and shut down operation of the vehicle if the vehicle is overloaded or the driving conditions too severe. Once a fuse has "tripped", remove your foot from the pedal and wait approximately 25 seconds before operating the vehicle again. To avoid repeated automatic shutdowns, do not overload the vehicle by exceeding the 130 lbs maximum weight capacity or by towing anything behind the vehicle. Do not drive up hills or run into fixed objects, which can cause the wheels to stop spinning while power is still being supplied to the motors. If a thermal fuse continually trips, contact your local Power Wheels® authorized service center. |
| Short run time<br>(Less than 1 - 3 hours per charge) | Undercharged battery                           | Charge the battery. A new battery should have been charged for at least 18 hours before using the vehicle for the first time. After first-time use, recharge the battery for at least 14 hours after each use. Never charge the battery longer than 30 hours.  |
|  |  | Check all wires and connectors. Make sure the motor harness connector is tightly plugged into the battery, and that the charger is plugged into the wall.  |
|  |  | Make sure power flow to the wall outlet is "ON".   |
|  | Overcharged battery                            | Do not charge the battery longer than 30 hours. If you suspect that your battery is damaged as a result of overcharging, contact your local Power Wheels® authorized service center. They can test the battery for you.  |
|  | Battery is old and will not accept full charge | Even with proper care, a rechargeable battery does not last forever. Average battery life is 1 to 3 years depending on vehicle use and use conditions. Replace only with a Power Wheels® 12 Volt Lead-Acid Rechargeable Battery. <b>Do not substitute parts.</b>   |
|  | Tripped thermal fuse                           | The built-in thermal fuse may "trip" and shut down operation of the vehicle if the vehicle is overloaded or the driving conditions too severe. Once a fuse has "tripped", remove your foot from the pedal and wait approximately 25 seconds before operating the vehicle again. To avoid repeated automatic shutdowns, do not overload the vehicle by exceeding the 130 lbs maximum weight capacity or by towing anything behind the vehicle. Do not drive up hills or run into fixed objects, which can cause the wheels to stop spinning while power is still being supplied to the motors. If a thermal fuse continually trips, contact your local Power Wheels® authorized service center. |

# PROBLEMS AND SOLUTIONS GUIDE

| PROBLEM   | POSSIBLE CAUSE                                 | SOLUTION   |
|---|--|--|
| Vehicle runs in low speed, but does not run in high speed<br><br>Please Note: The vehicle is designed to operate in low speed only in reverse  . | High speed lock-out not disconnected           | The vehicle was pre-set to run only in low speed. To allow the vehicle to run in low and high speed, you must disconnect the High Speed Lock-Out. Follow the instructions on page 22 to remove the High Speed Lock-Out screw.  |
| When the foot pedal is pressed one rear wheel spins   | Operation of vehicle in low speed              | It is possible that only one rear wheel may spin when both only rear wheels are raised off the ground and the vehicle is in low speed. This does not necessarily indicate a problem. Check for proper operation of the drive system by raising the rear wheels off the ground and pressing the foot pedal. If only one rear wheel spins, carefully press your hand on the spinning wheel to slow it down. The other rear wheel should begin to spin. If the other rear wheel does not begin to spin, there may be a problem with the vehicle. Contact your local Power Wheels® authorized service center for diagnosis and repair. |
| Vehicle runs sluggishly   | Undercharged battery                           | Charge the battery. A new battery should have been charged for at least 18 hours before using the vehicle for the first time. After first-time use, recharge the battery for at least 14 hours after each use. Never charge the battery longer than 30 hours.  |
|   |  | Check all connectors. Make sure the charger connector is tightly plugged into the battery, and that the charger is plugged into the wall.  |
|   |  | Make sure power flow to the wall outlet is "ON".   |
|   | Battery needs charging                         | Be sure to charge the battery after each use.  |
|   | Battery is old and will not accept full charge | Even with proper care, a rechargeable battery does not last forever. Average battery life is 1 to 3 years depending on vehicle use and use conditions. Replace only with a Power Wheels® 12 Volt Lead-Acid Rechargeable Battery. Do not substitute parts.  |
|   | Vehicle is overloaded                          | Make sure you do not overload the vehicle by allowing more than two riders at one time, exceeding the 130 lbs. maximum weight capacity, or by towing objects behind the vehicle. If the vehicle is overloaded, the built-in thermal fuse in the battery may "trip", and automatically shut down operation for approximately 25 seconds. Adjust the driving conditions to prevent repeated automatic shutdowns.   |
|   | Driving conditions are too stressful           | Use only on generally level ground.  |

# PROBLEMS AND SOLUTIONS GUIDE

| PROBLEM  | POSSIBLE CAUSE   | SOLUTION  |
|--|--|---|
| Sometimes the vehicle doesn't run, but other times it does   | Loose wire or connector  | Check all wires around the motors and all connectors to make sure they are tight.   |
|  | Motor or electrical switch damage  | Contact your local Power Wheels® authorized service center for diagnosis and repair.  |
| When the foot pedal is pressed, the vehicle won't run without a push   | Loose wire or connector  | Check all wires around the motors and all connectors to make sure they are tight.   |
|  | "Dead Spot" on motor   | Contact your local Power Wheels® authorized service center for diagnosis and repair.  |
| Battery's thermal fuse constantly "trips", but the vehicle is not overloaded nor the driving conditions too severe | Damaged battery  | Contact your local Power Wheels® authorized service center for diagnosis and repair.  |
|  | Child is switching between FORWARD and REVERSE without stopping  | Teach your child to stop the vehicle before switching direction.  |
| Loud clacking or grinding noise from a motor-gearbox   | Broken gears   | Contact your local Power Wheels® authorized service center for diagnosis and repair.  |
| Charger gets warm during use   | It is normal for some chargers to get warm during use and is not reason for concern. Some chargers do not get warm during use. | No action required.   |
|  |  | If your charger does not get warm during use, it does not mean that it is not working properly.   |
| Battery makes a sizzling or gurgling noise when charging   | It is normal for some batteries to make noise and swell slightly while charging and is not reason for concern.                 | No action required.   |
|  |  | If your battery does not make noise or swell slightly during charging, it does not mean that it is not accepting the charge.  |
| FM Radio does not function   | Power is off   | Power automatically turns off after about one hour of non-use. Press the power button  to turn it back on. |
|  | Batteries are weak or dead   | Replace all four batteries with four, new "C" (LR14) <b>alkaline</b> batteries.   |
| FM Radio station changes automatically   | Poor reception   | You may find better reception of a particular station in a different location.  |
|  | Power was turned off and the radio reset back to the first station   | Use the scan button to reset to your favorite station.  |



**Before first-time use,  
you must charge the battery  
18 hours!**

Charge the battery immediately after each use.

Charge the battery once a month, even if the vehicle is not used or stored.

**Do not return  
your vehicle to the store!**

We're a toll-free phone call away, and we can help.  
If you are missing parts or need assistance, please call:

**1-800-348-0751**

Or contact your local **independently owned and operated**  
Power Wheels® Authorized Service Center.

For the location nearest you, visit us on-line at **[www.powerwheels.com](http://www.powerwheels.com)**.

Cadillac, the Wreath & Crest Emblem, Escalade, EXT, and the related vehicle body designs are General Motors Trademarks used under license to Fisher-Price.

Fisher-Price, Inc., a subsidiary of Mattel, Inc., East Aurora, New York 14052 U.S.A.

©2011 Mattel, Inc. All Rights Reserved. ® and ™ designate U.S. trademarks of Mattel, Inc. unless otherwise indicated.