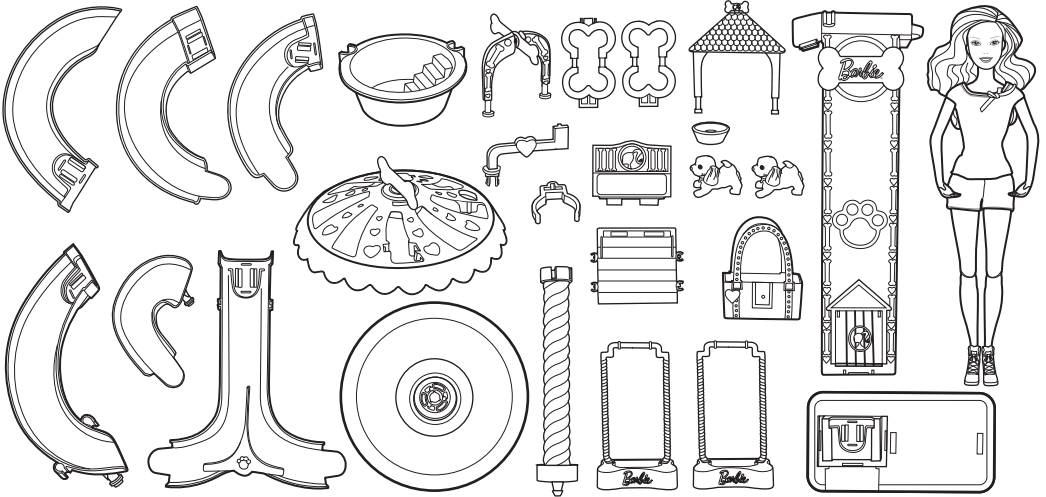


Barbie

INSTRUCTIONS 说明书

3+ **MATTEL**
Y1172-0625
Y1173



- Contents: Please remove everything from the package and compare to the contents shown here. If any items are missing, please contact your local Mattel office. Keep these instructions for future reference as they contain important information.
- 组件：请拆开包装中的所有组件与图示核对，察看是否齐全。如发现缺少任何组件，请与当地美太办公室联系。此说明书包含重要信息，请保留以备日后察看。

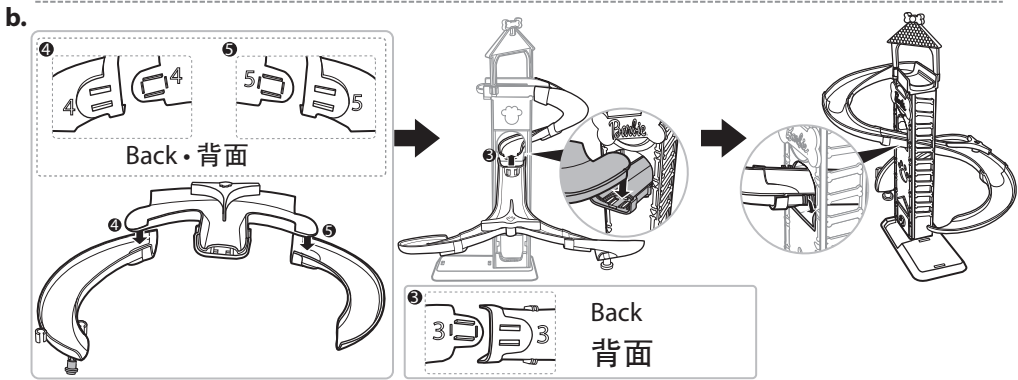
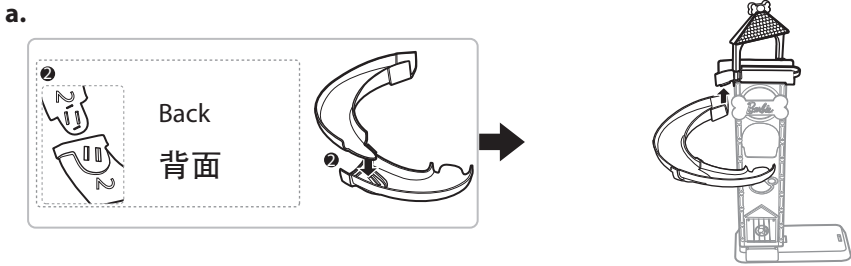
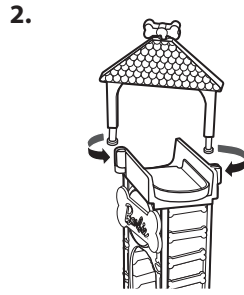
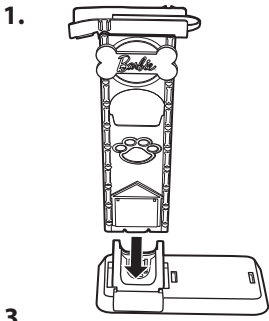


WARNING:
CHOKING HAZARD- Small parts.
Not for children under 3 years.



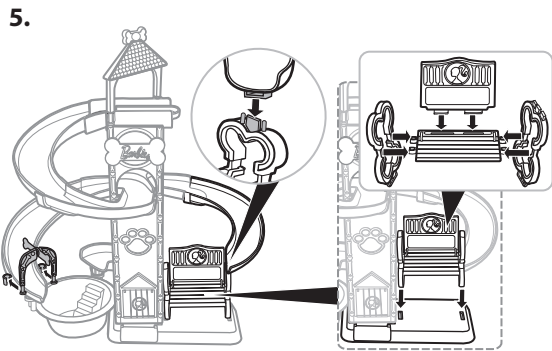
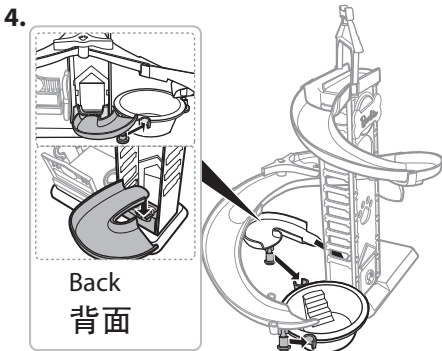
警告：
窒息危险。内含小零件。
不适合3岁及以下儿童使用。

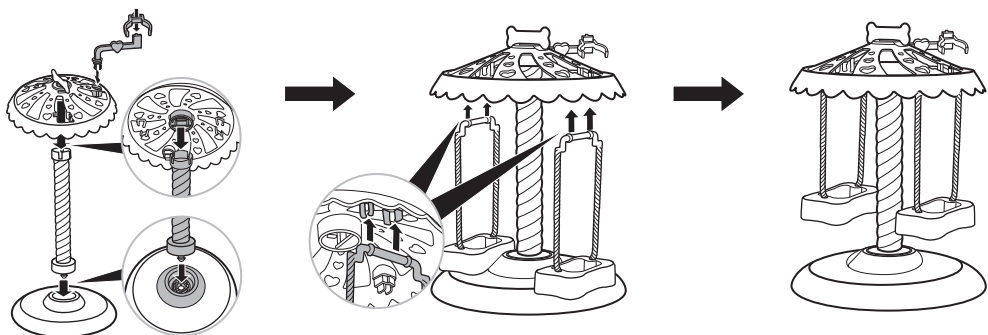
Assembly • 组装



NOTE: Refer to molded numbers on parts for easy assembly.

注意：为便于组装请参考组件上的数字。

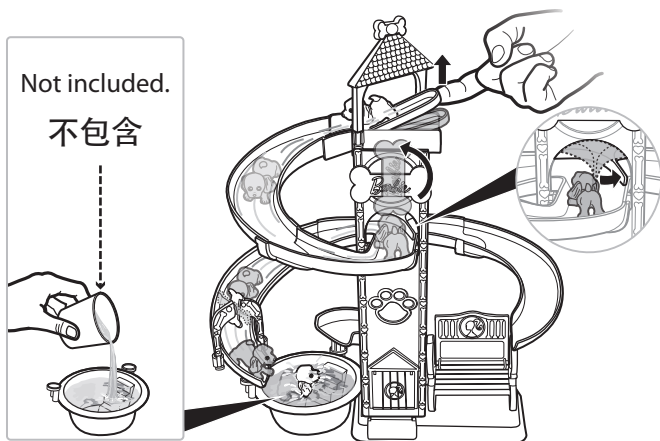




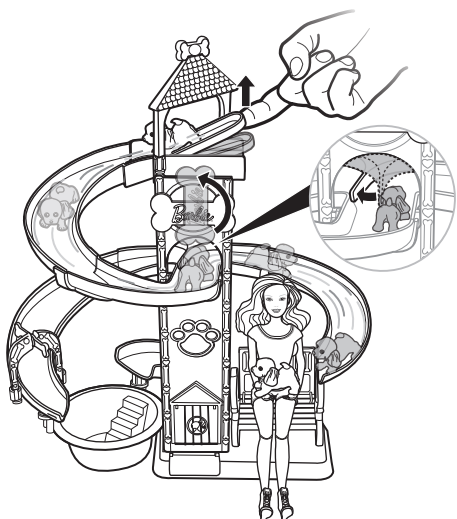
Slide & Spin Pups!™

让小狗滑落和旋转起来!

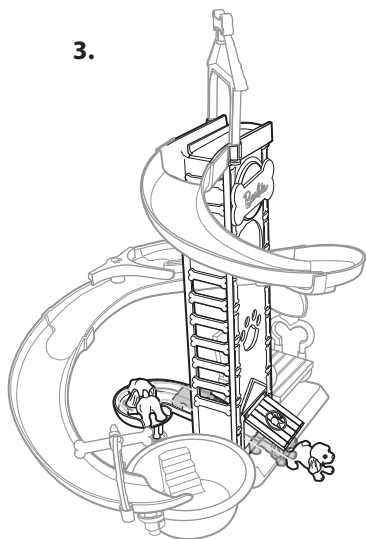
1.



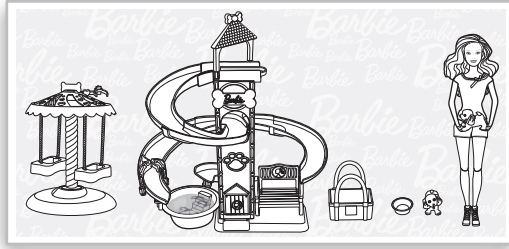
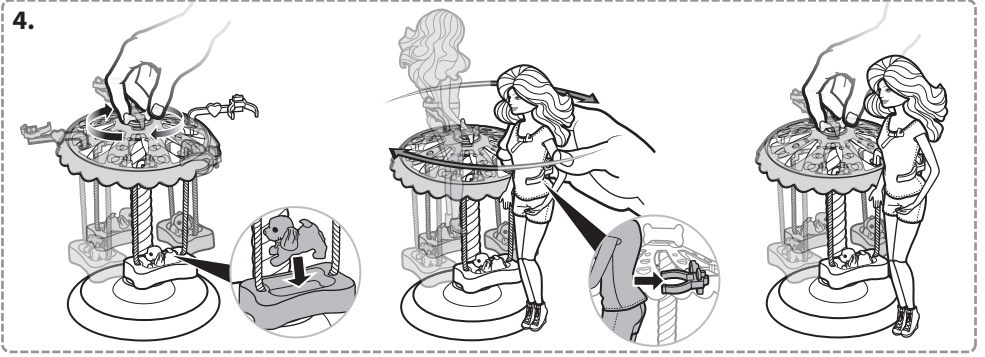
2.



3.



4.



Water toys sometimes get messy. Protect play surfaces before use. Drain, rinse, clean and dry all items thoroughly before storing.

玩水玩具容易弄脏游戏区域，在玩之前请保护好游戏区域。在存储前倒干、清洗、清洁并完全弄干玩具表面。

CONSUMER INFORMATION

Need Assistance? Visit service.mattel.com or call 1-800-524-8697 (US and Canada only).

SERVICE.MATTEL.COM

Mattel, Inc., 636 Girard Avenue, East Aurora, NY 14052, U.S.A. Consumer Relations 1-800-524-8697. Mattel U.K. Ltd., Vanwall Business Park, Maidenhead SL6 4UB. Helpline 01628 500303. Mattel Australia Pty., Ltd., Richmond, Victoria. 3121. Consumer Advisory Service - 1300 135 312. Mattel East Asia Ltd., Room 503-09, North Tower, World Finance Centre, Harbour City, Tsimshatsui, HK, China. Diimport & Diedarkan Oleh: Mattel SEA Ptd Ltd.(993532-P) Lot 13.5, 13th Floor, Menara Lien Hoe, Persiaran Tropicana Golf Country Resort, 47410 PJ. Malaysia. Tel:03-78803817, Fax:03-78803867.