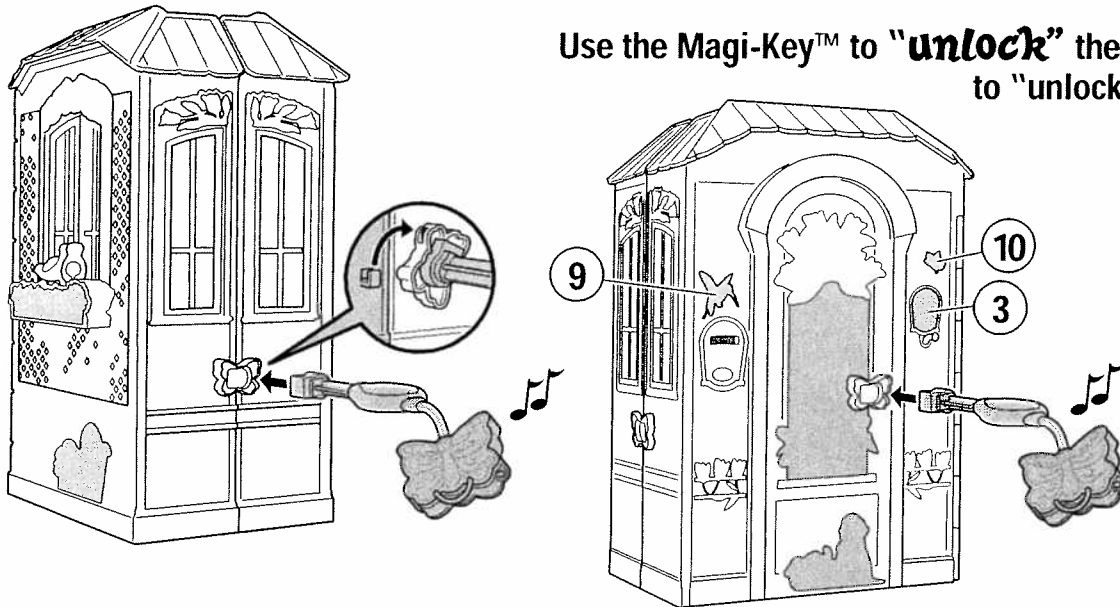


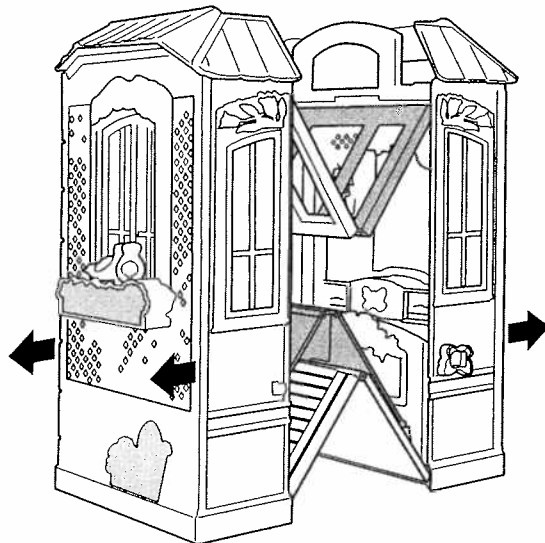
Setting up your Magi-Key™ House.



Use the Magi-Key™ to "unlock" the house. Be sure to "unlock" both sides.

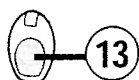
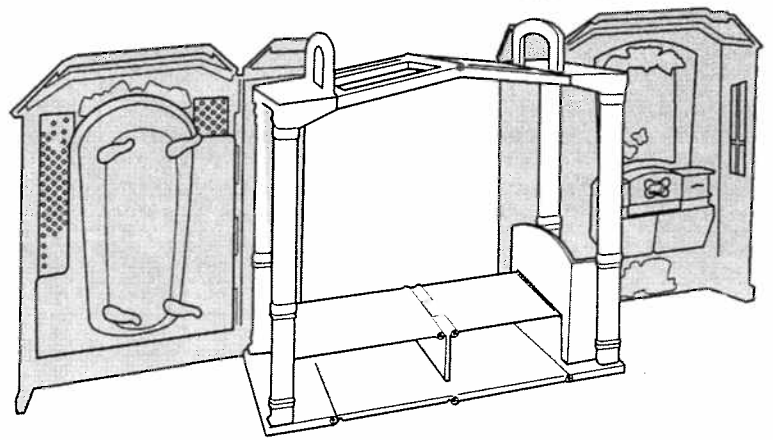
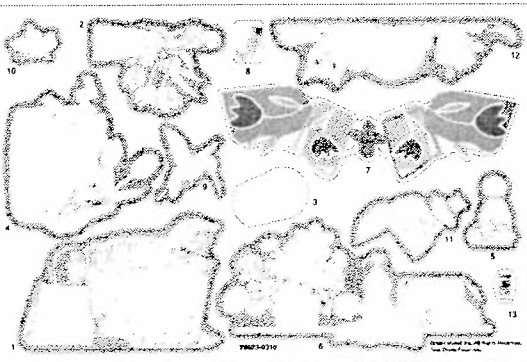


Gently **open** up the house.

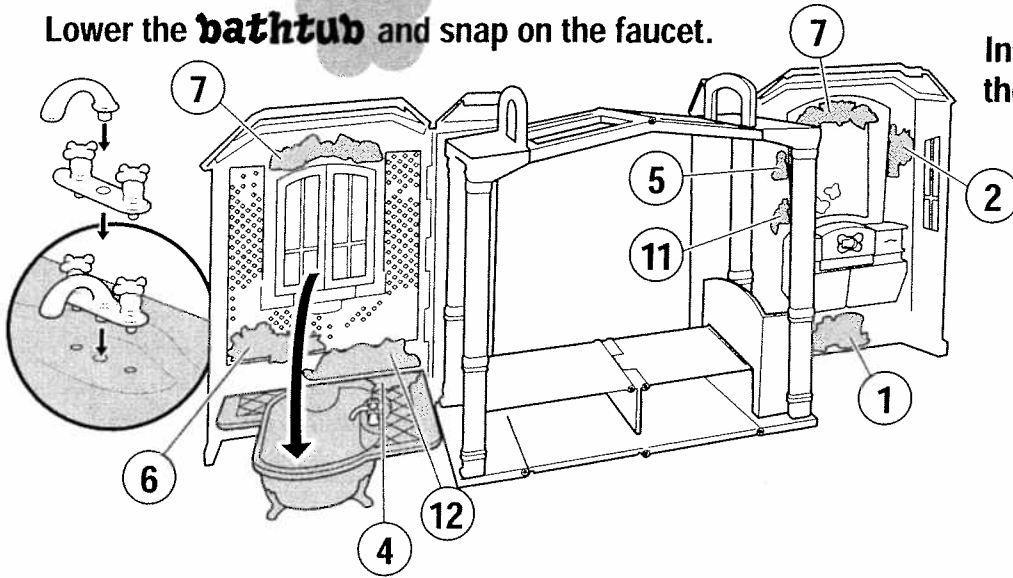


Open out the **Sides** of the house.

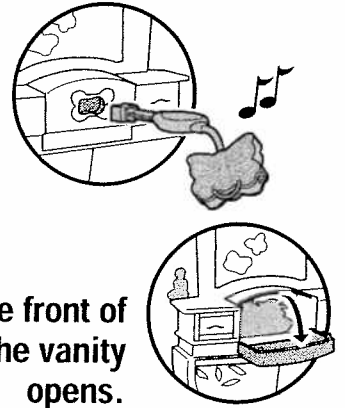
Apply the **labels** by number as shown.



Lower the **bathtub** and snap on the faucet.

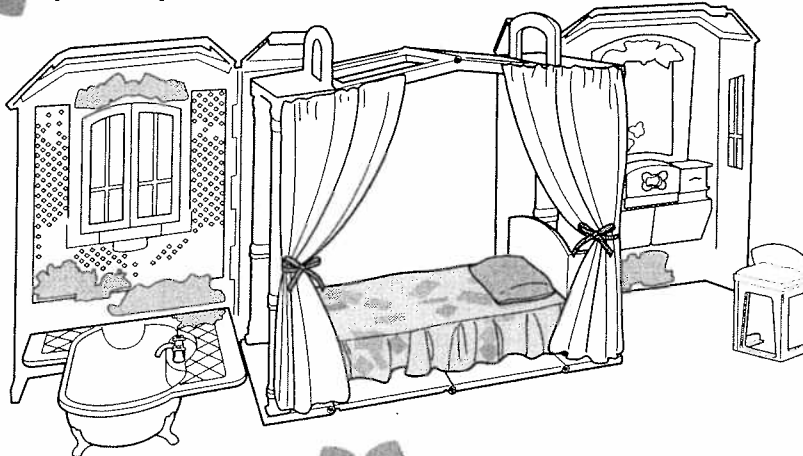


Insert the key into the front of the **vanity** for more sounds.

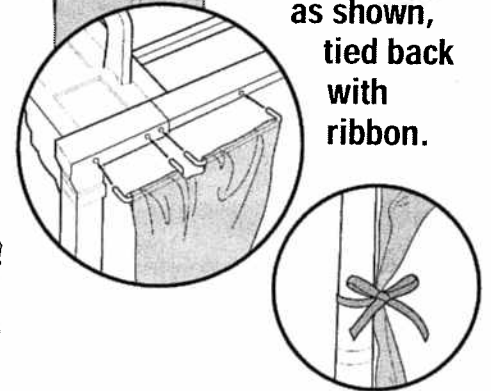


The front of the vanity opens.

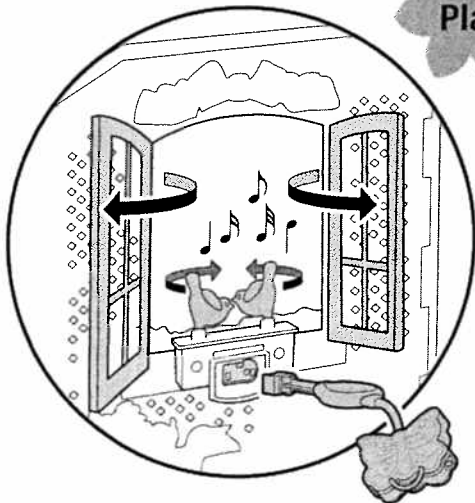
Complete the **bedroom** with the bedspread, pillow, and curtains.



The **curtains** are assembled as shown, tied back with ribbon.



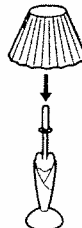
Place your key below the **window**. The windows open, the birds turn, and a sound plays.



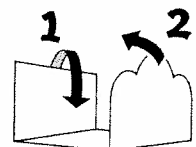
Inserting the key in the **diary** also plays a sound.



Snap together the **lamp**.

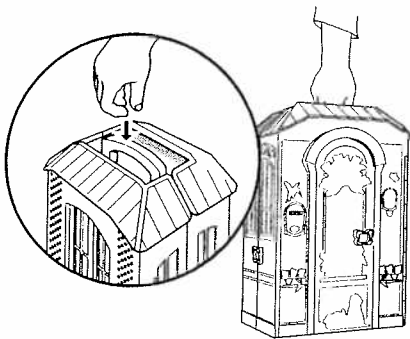
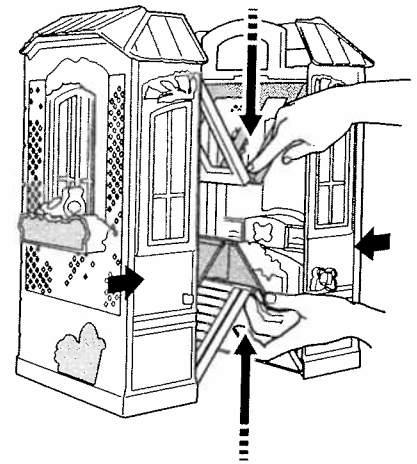
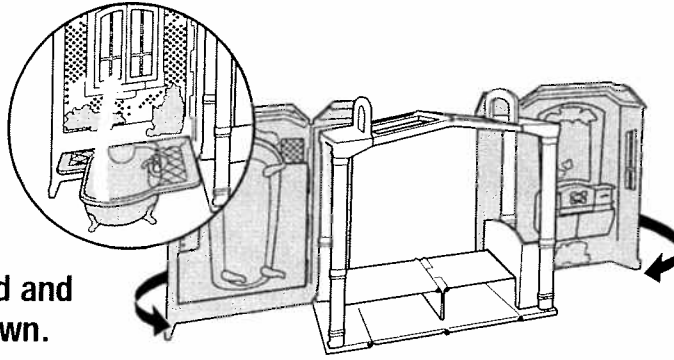


Here's how to fold your **letters**.

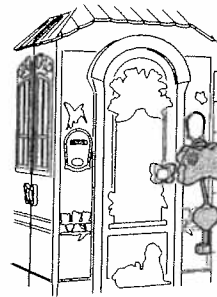


Storage

Fold up the bathtub, bring in the sides, and close up the house by folding the bed and canopy as shown.



The house has a handy handle.



Push in the knob as shown, and hang up your key. The knob is removable.

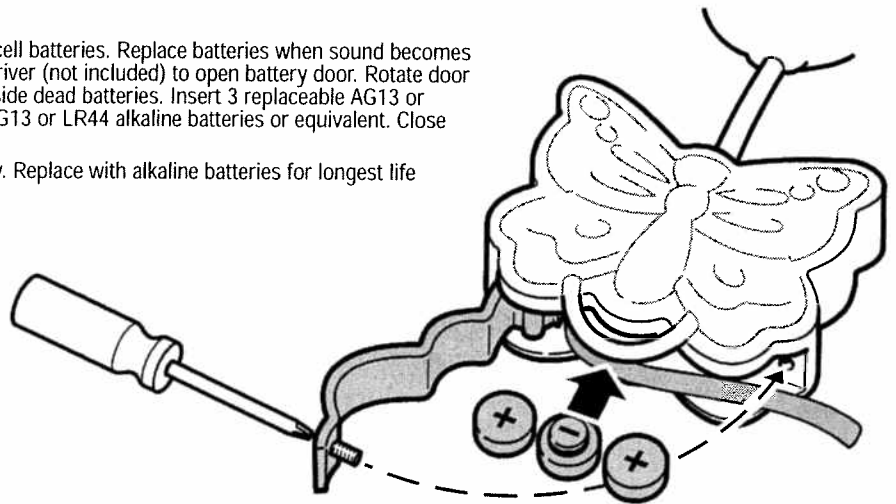
Battery Replacement

Toy includes 3 replaceable AG13 or LR44 alkaline button cell batteries. Replace batteries when sound becomes distorted. To replace batteries, use a Phillips head screwdriver (not included) to open battery door. Rotate door open as shown. Pull ribbon to remove batteries and set aside dead batteries. Insert 3 replaceable AG13 or LR44 alkaline button cell batteries as shown. Use either AG13 or LR44 alkaline batteries or equivalent. Close battery cover and tighten screw.

ATTENTION: Non-alkaline batteries may not power this toy. Replace with alkaline batteries for longest life and best performance.

BATTERY SAFETY INFORMATION

1. Non-rechargeable batteries are not to be recharged.
2. Rechargeable batteries are to be removed from the product before they are charged.
3. If removable rechargeable batteries are used, they are only to be charged under adult supervision.
4. Do not mix alkaline, standard (carbon-zinc), or rechargeable (nickel-cadmium) batteries.
5. Do not mix old batteries and new batteries.
6. Only batteries of the same or equivalent type as recommended are to be used.
7. Be sure to insert batteries with the correct polarities and always follow the toy and battery manufacturers' instructions.
8. Exhausted batteries are to be removed from the product.
9. The supply terminals are not to be short-circuited.
10. Dispose of batteries safely.



TWO YEAR LIMITED WARRANTY

Mattel, Inc. warrants to the original consumer purchaser that this product will be free of defects in material or workmanship for two years (unless specified in alternate warranties) from the date of purchase. If defective, return the product along with proof of the date of purchase, postage prepaid, to Consumer Relations, 636 Girard Avenue, East Aurora, New York 14052 for replacement or refund at our option. This warranty does not cover damage resulting from unauthorized modification, accident, misuse or abuse. In no event shall we be responsible for incidental, consequential, or contingent damages (except in those states that do not allow this exclusion or limitation). **VALID ONLY IN U.S.A.** This warranty gives you specific legal rights and you may also have other rights which vary from state to state. Some states do not allow the exclusion of incidental or consequential damages, so the above exclusions or limitations may not apply to you.

Send only the product to the address above. Send all correspondence to Consumer Relations, Mattel, Inc., 333 Continental Blvd., El Segundo, California 90245-5012 U.S.A. Or you may phone us toll-free at 1-800-524-TOYS, Monday - Friday, 8:00 a.m. - 6:00 p.m. Eastern Time. Outside U.S.A., see telephone directory for Mattel listing.

CONSUMER INFORMATION

YOU CAN TELL IT'S MATTEL!™ CALL us toll-free or write with any comments or questions about our products or service. Monday-Friday 8:00 a.m.-6:00 p.m. Eastern Time. Outside U.S.A., see telephone directory for Mattel listing.

Consumer Relations, Mattel, Inc.
333 Continental Blvd.
El Segundo, CA 90245 USA

1 (800) 524-TOYS

WE ARE DEDICATED TO QUALITY PRODUCTS.

WARNING:

CHOKING HAZARD - Small parts.
Not for children under 3 years.

