

75988

Barbie

75988

Party Playhouse

Model Number: 75988



If you experience a problem with this product, or are missing a part,
please call us at 1-800-432-5437, rather than
returning this product to the store.

Please save these instructions for future reference.

Adult assembly is required.

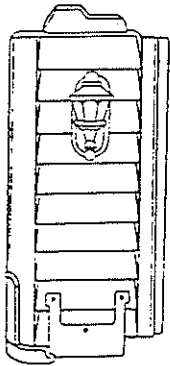
Tool needed for assembly: Phillips Screwdriver.

Tool needed for disassembly: Slotted Screwdriver.

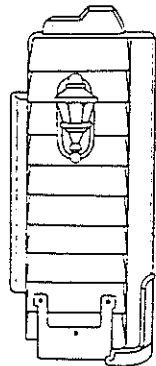
Planter boxes are designed to hold real plants
(flowers not included).

Parts

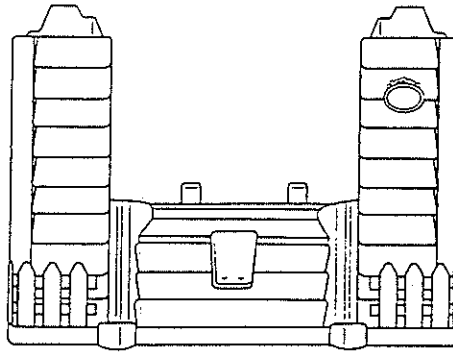
If you experience a problem with this product, or are missing a part, please call us at 1-800-432-5437, rather than returning this product to the store.



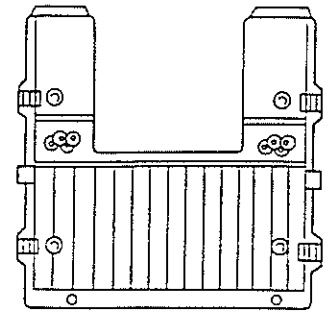
Left Front Wall



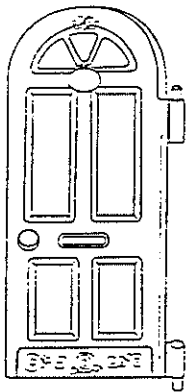
Right Front Wall



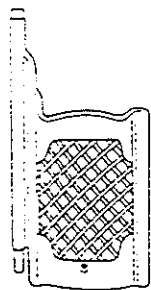
Rear Wall



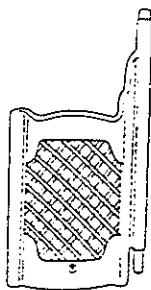
Right Side Wall



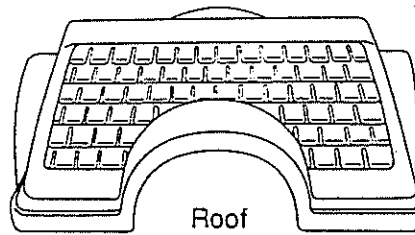
Front Door



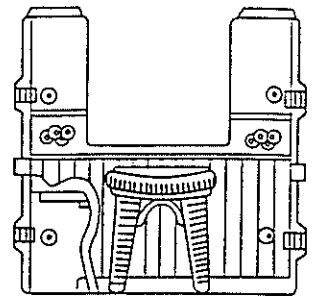
Right Patio Door



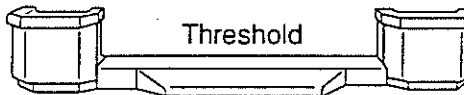
Left Patio Door



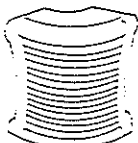
Roof



Left Side Wall



Threshold



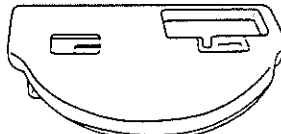
Corner Chair



Faucet Knob - 2



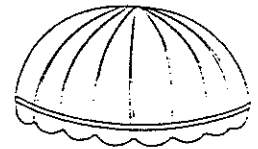
Table Support



Table



Telephone Receiver



Canopy



Sink



Stove Top



Sink Retainer

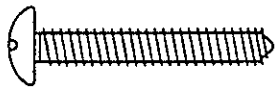


Faucet

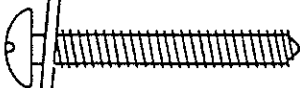


Door Knob

Label Sheet - 2
(Not Shown)



#10 x 1/2" Screw - 12



#10 x 1 3/8" Screw with Washer - 2

BOTH SHOWN ACTUAL SIZE

For your convenience, an extra piece of each type of hardware has been included.

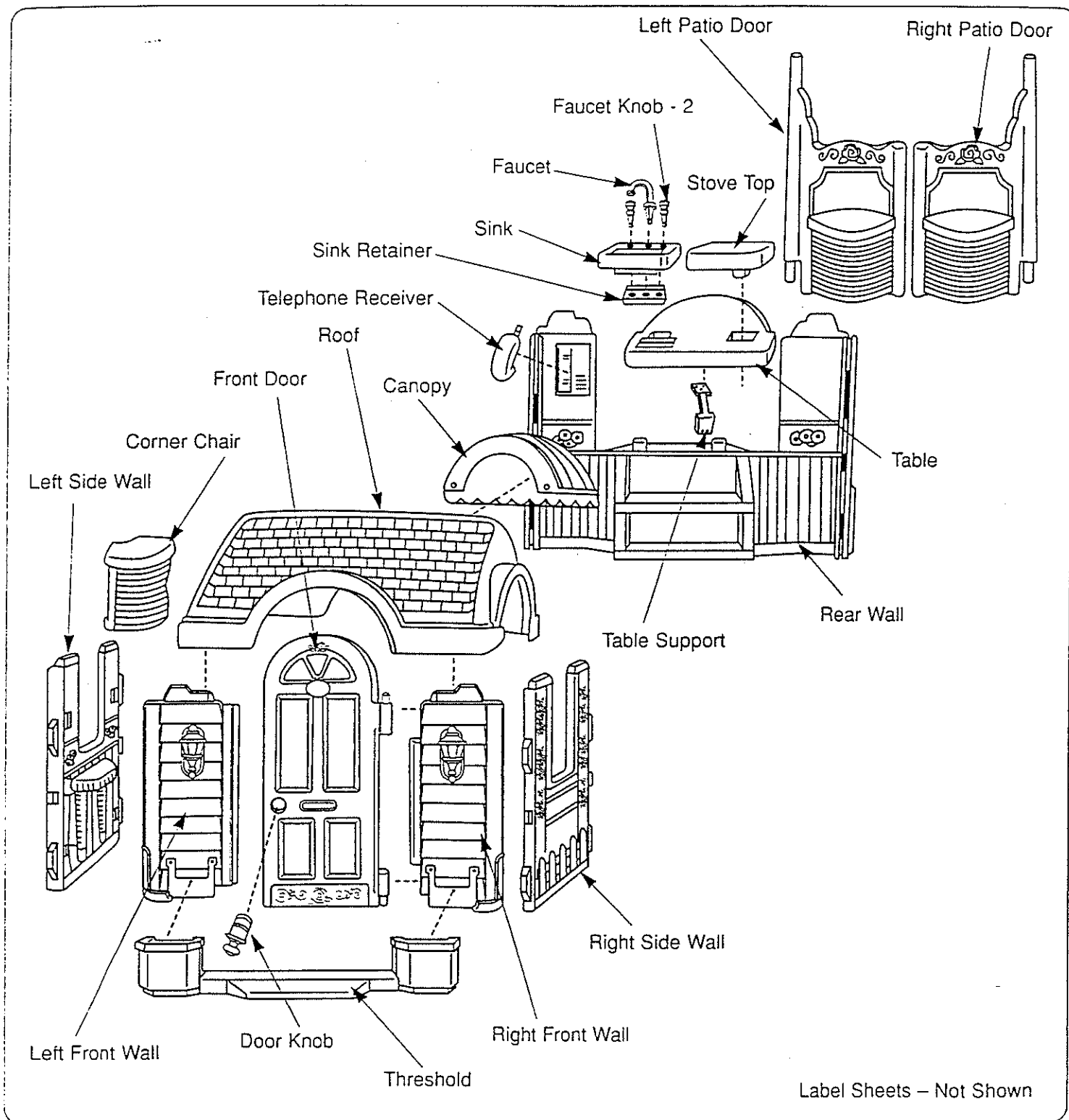


CAUTION

Please keep small parts and plastic bags out of children's reach.

Assembly

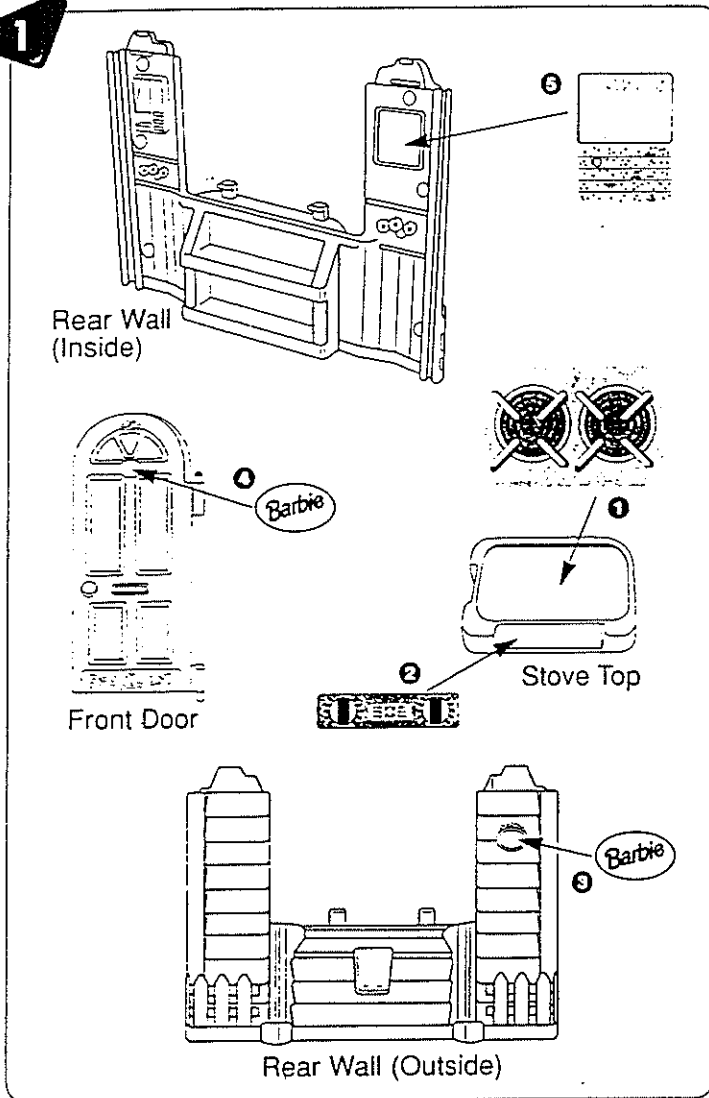
The BARBIE™ Party Playhouse should be assembled by an adult, and preferably by two adults. Please read these instructions carefully and identify all parts before assembly. Refer to the parts illustrations for identification.



- Please save all packaging material until assembly is complete to ensure that no parts are discarded.
- If you experience a problem with this product, or are missing a part, please call us at 1-800-432-5437, rather than returning this product to the store.
- Before assembling the BARBIE™ Party Playhouse, please wipe each part with a clean, dry cloth.

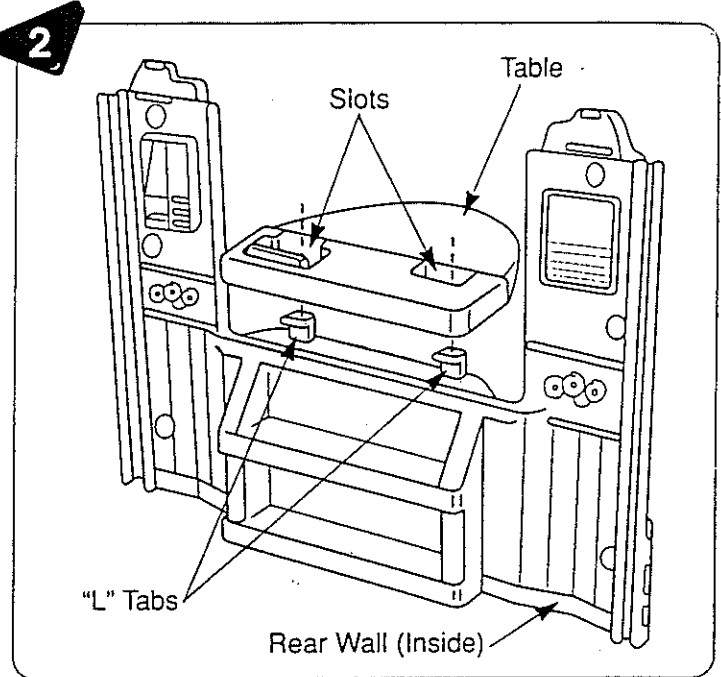
Assembly

1



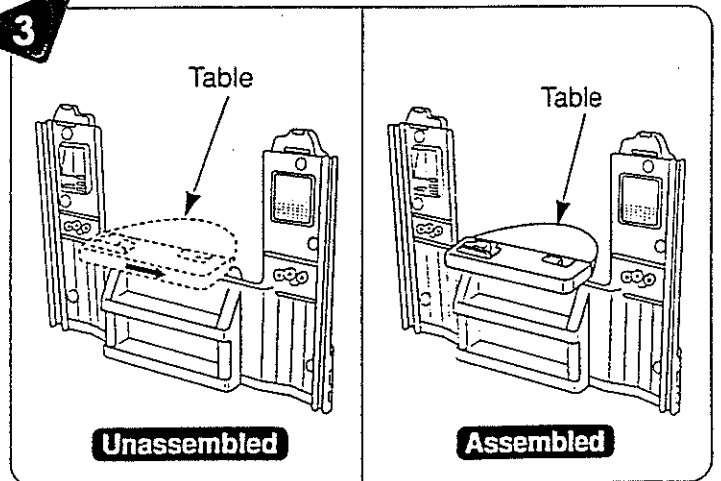
- Locate the front door, rear wall and stove top.
- Make sure the areas where the labels will be applied are clean and dry.
- Apply the labels as indicated in the illustration.
- For best adhesion, try to avoid applying the labels more than once.

2



- Stand the rear wall upright with the inside facing you.
- Position the table over the rear wall, with the curved side outward.
- Fit the "L" shaped tabs on the rear wall into the slots in the table.

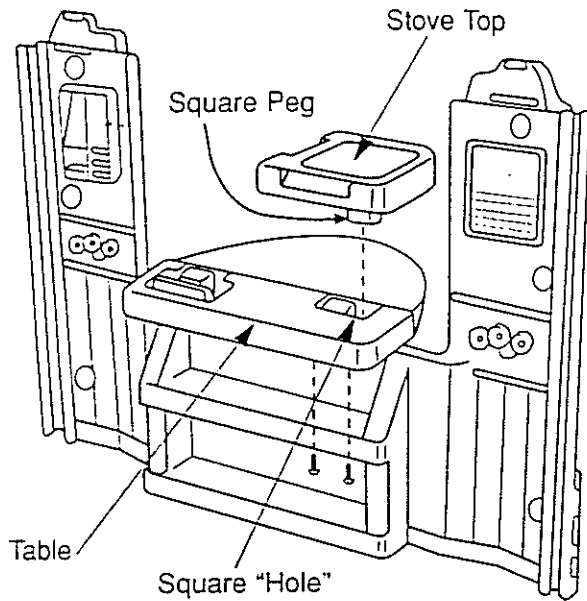
3



- Firmly slide the table to the right to secure it in place.

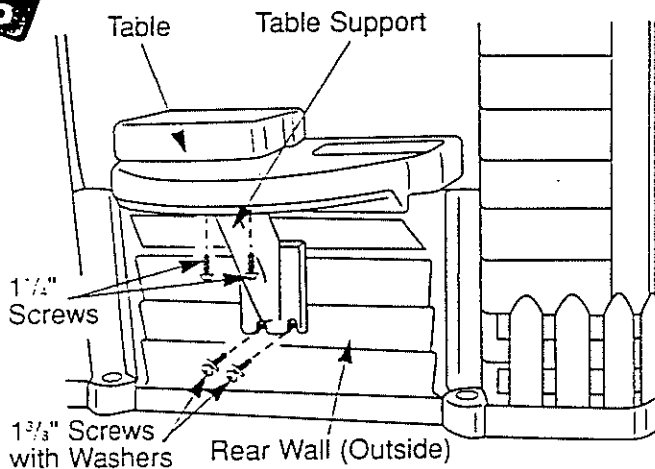
Assembly

4



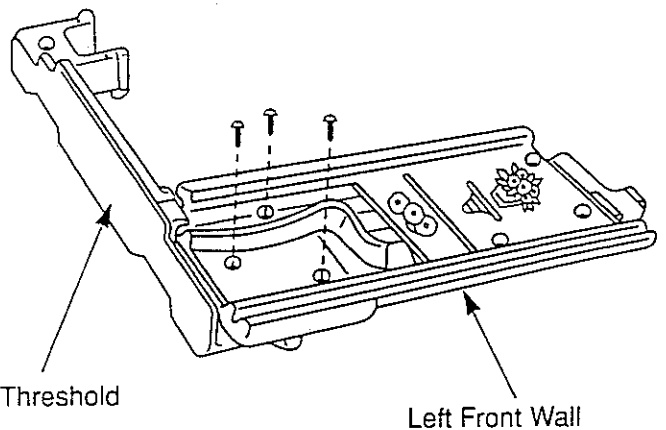
- Fit the square peg on the underside of the stove top into the square "hole" in the table.
- Insert two 1 1/2" screws through the underside of the table and into the stove top. Tighten the screws with a Phillips screwdriver. Do not over-tighten.

5



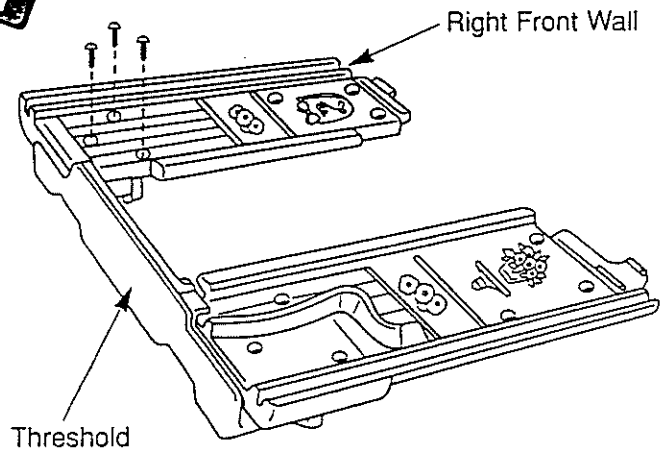
- Fit the table support under the table and onto the outside of the rear wall.
- Insert two 1 1/2" screws through the table support and into the table. Tighten the screws with a Phillips screwdriver. Do not over-tighten.
- Insert two 1 3/8" screws with washers through the table support and into the rear wall. Tighten the screws with a Phillips screwdriver. Do not over-tighten.

6



- Position the threshold on a flat surface, as shown.
 - Position the left front wall so that the inside is facing up.
- Helpful Hint:** The parts have been labeled as if you are looking at the front of the product completely assembled.
- Fit the left front wall onto the threshold, as shown.
 - Insert three 1 1/2" screws into the left front wall and tighten with a Phillips screwdriver. Do not over-tighten.

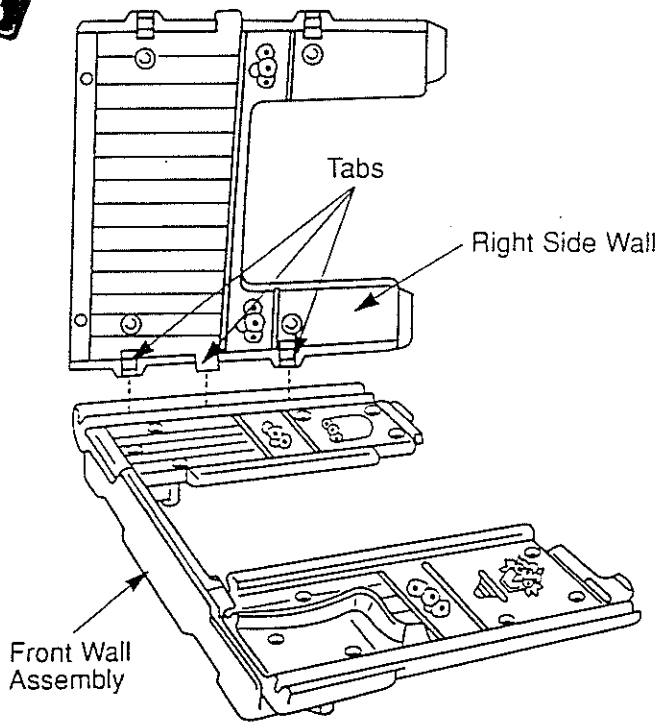
7



- Position the right front wall so that the inside is facing up.
- Helpful Hint:** The parts have been labeled as if you are looking at the front of the product completely assembled.
- Fit the right front wall onto the threshold, as shown.
 - Insert three 1 1/2" screws into the right front wall and tighten with a Phillips screwdriver. Do not over-tighten.

Assembly

8

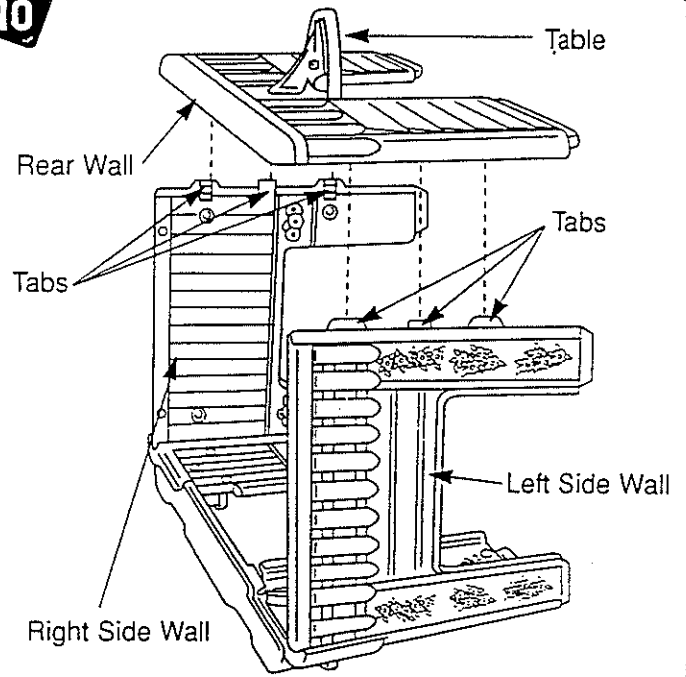


- Position the right side wall so that the inside is toward the front wall assembly.

Helpful Hint: The parts have been labeled as if you are looking at the front of the product completely assembled.

- Insert and **snap** the right side wall tabs into the slots in the front wall assembly.

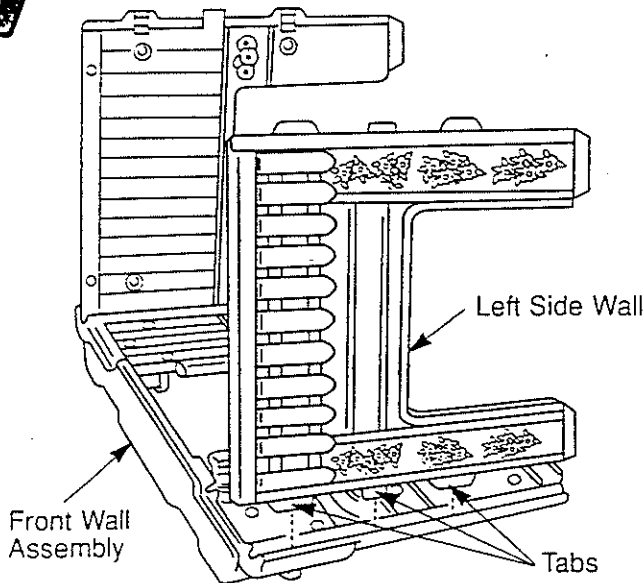
10



Helpful Hint: You may need the help of another person with this step.

- Position the rear wall so that the table is upward.
- Align the three tabs on the right and left side walls with the three slots in each side of the rear wall.
- Push down near the three slots on each side of the rear wall to **snap** it into place.

9

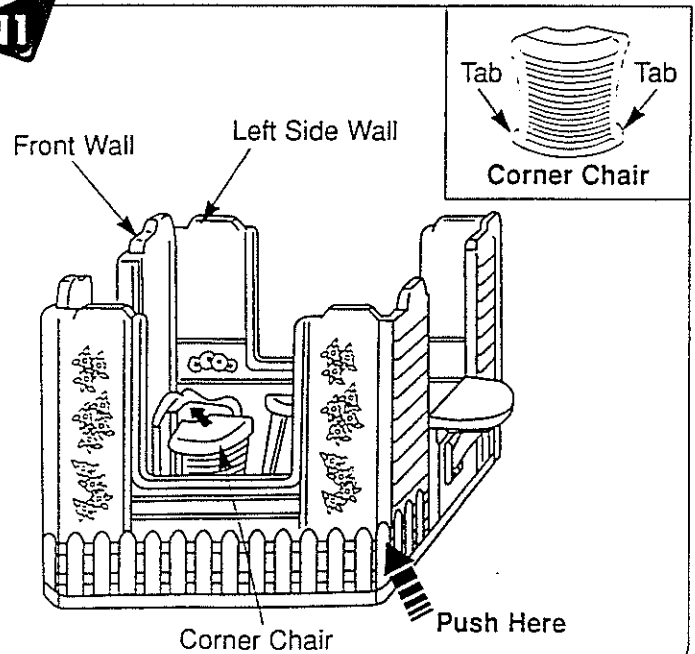


- Position the left side wall with molded in table detail (on inside) so that the outside is facing you.

Helpful Hint: The parts have been labeled as if you are looking at the front of the product completely assembled.

- Insert and **snap** the left side wall tabs into the slots in the front wall assembly.

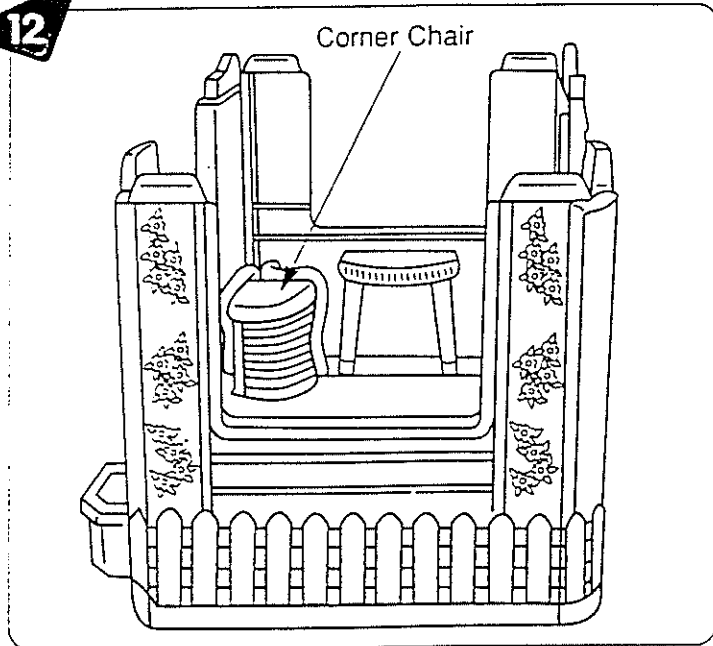
11



- Turn the playhouse assembly upright, as shown.
- Push the right rear corner of the playhouse assembly so that the walls do **not** form a square.
- Position the corner chair so that the tabs are downward.
- Fit the corner chair into the front and left side walls, as shown.

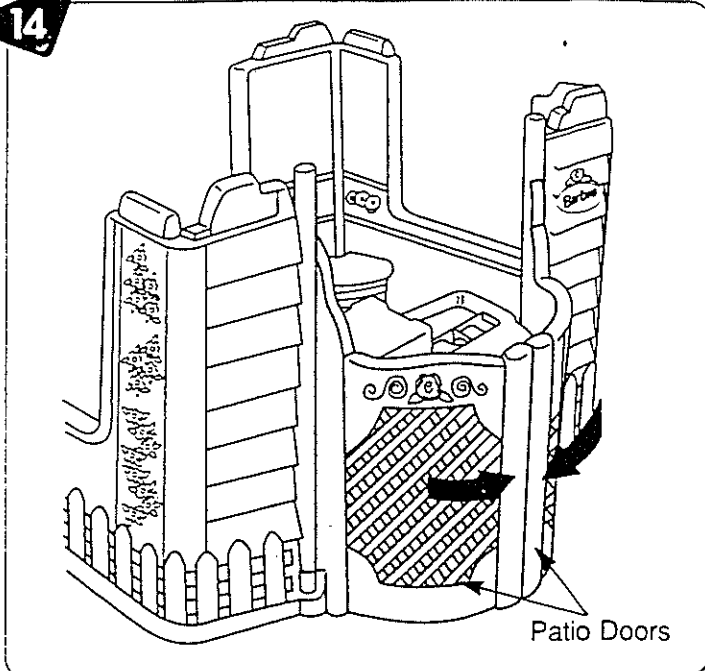
Assembly

12



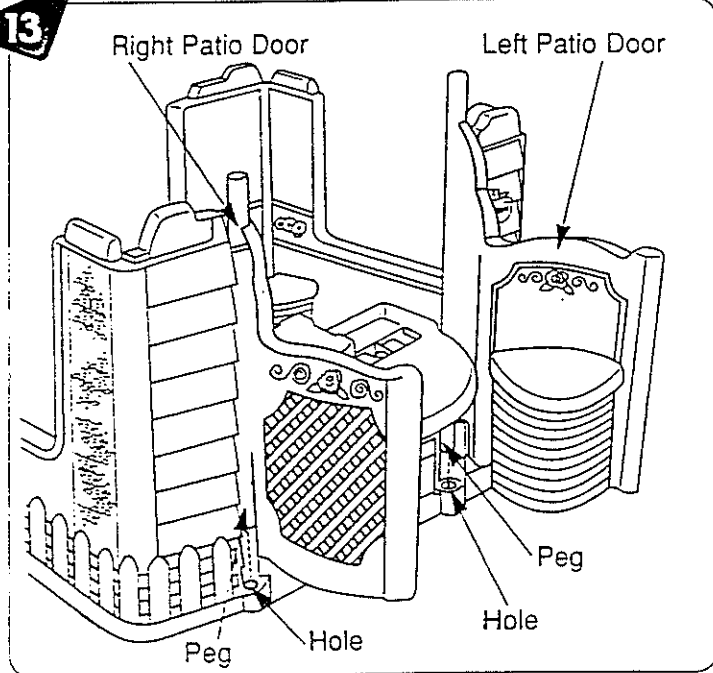
- Reposition the walls so that they form a square, as shown. This will lock the corner chair in place.

14



- Rotate the patio doors closed.

13

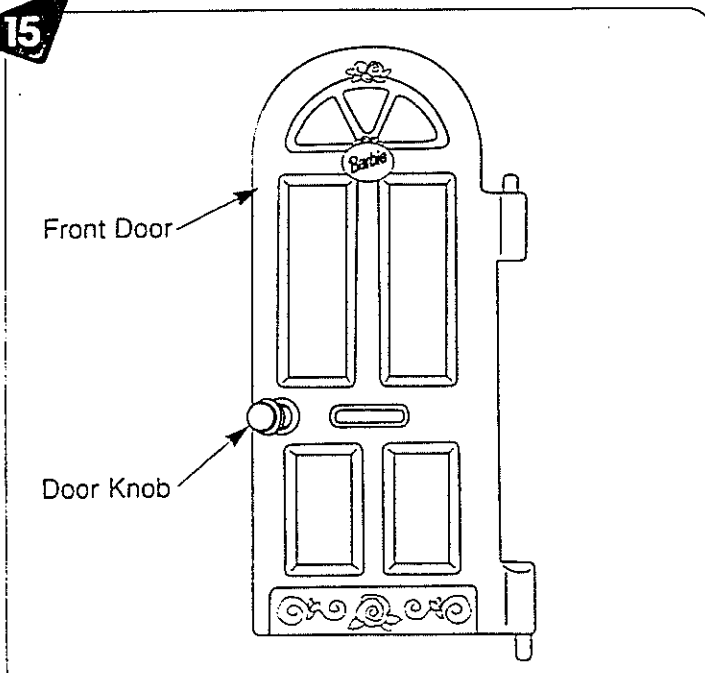


- Insert the peg on the left patio door into the hole in the rear wall.

Helpful Hint: The parts have been labeled as if you are looking at the front of the product completely assembled.

- Insert the peg on the right patio door into the hole in the rear wall.

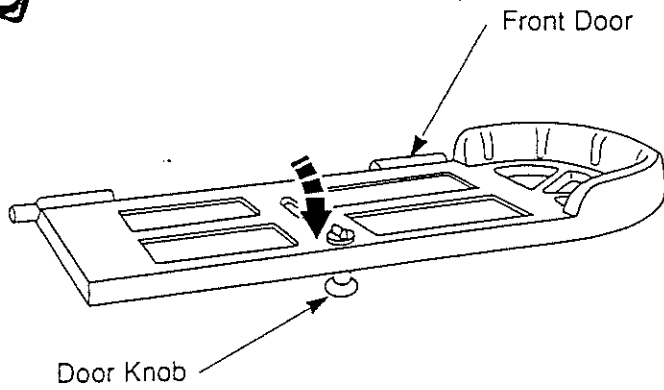
15



- Insert the door knob into the hole in the front side of the front door.

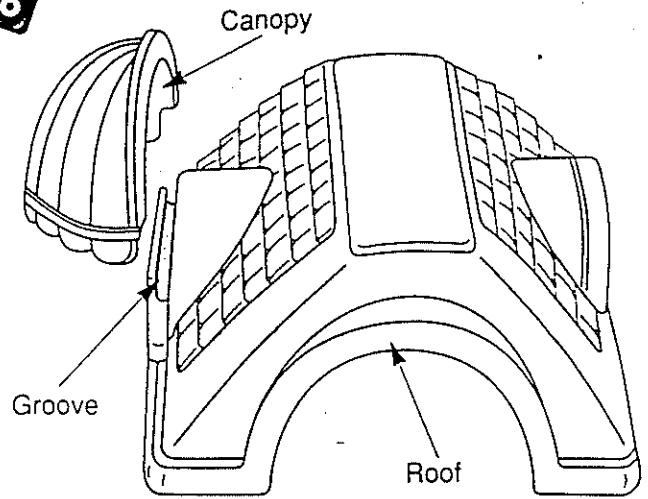
Assembly

16



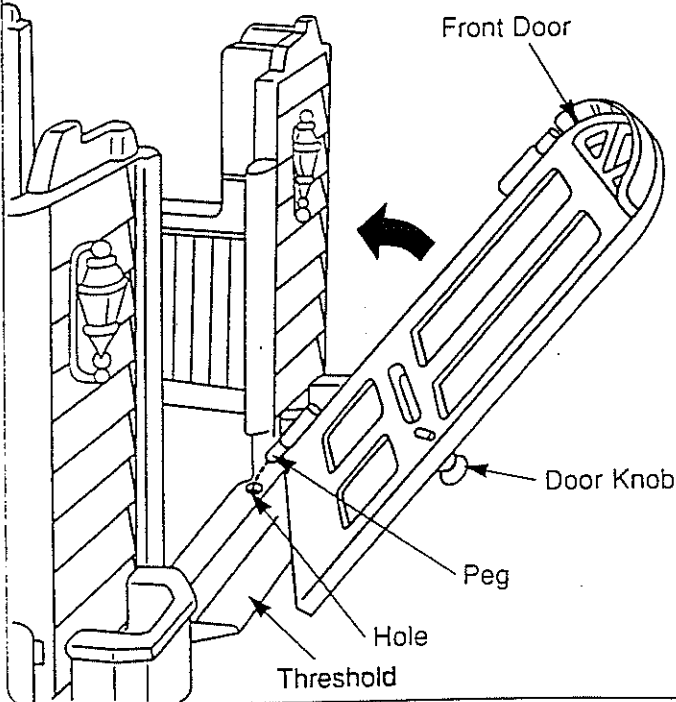
- Lay the front door down so that the door knob is on a flat surface.
- Push on the front door, near the door knob, to **snap** the door knob completely into the hole.

18



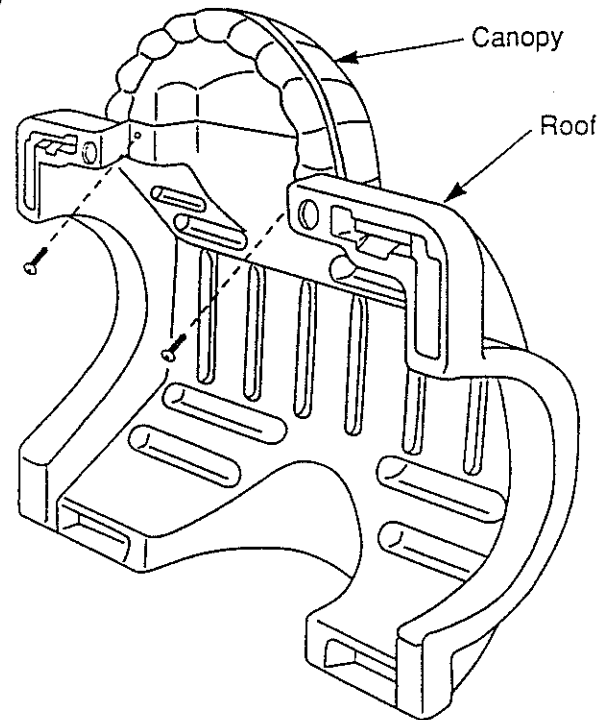
- Place the roof onto a flat surface.
- Fit the canopy into the groove on the roof.

17



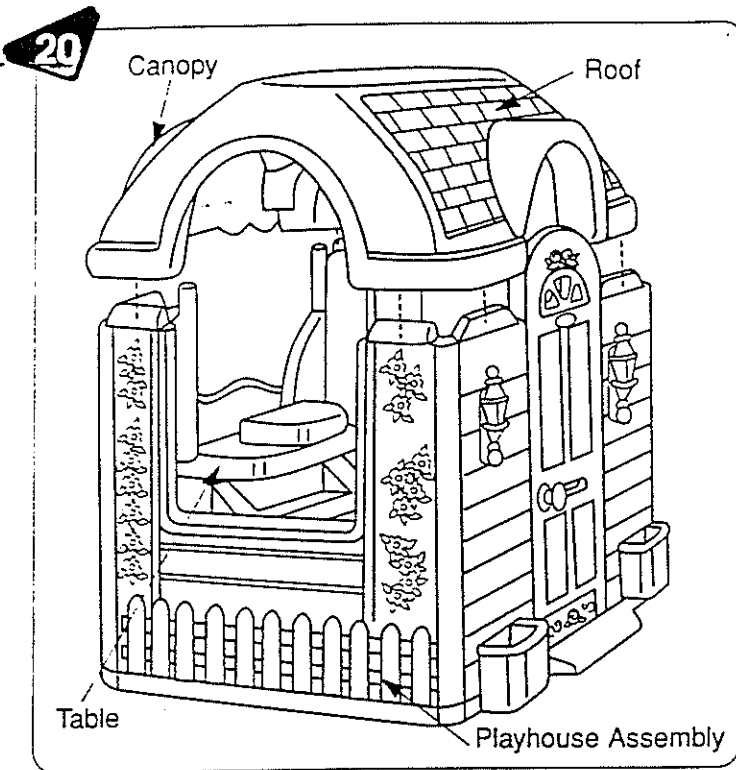
- Position the front door so that the door knob is outward.
- **At an angle**, insert the peg on the front door into the hole in the threshold.
- Rotate the front door up.

19



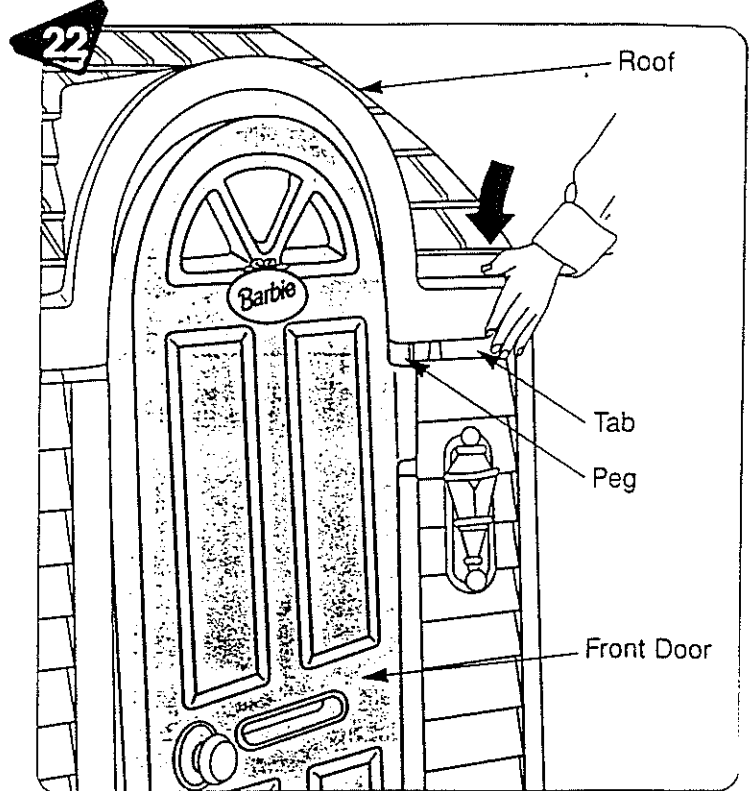
- While holding the canopy onto the roof, tip the roof on its side.
- Insert two 1 1/4" screws into the roof and tighten with a Phillips screwdriver. Do not over-tighten.

Assembly

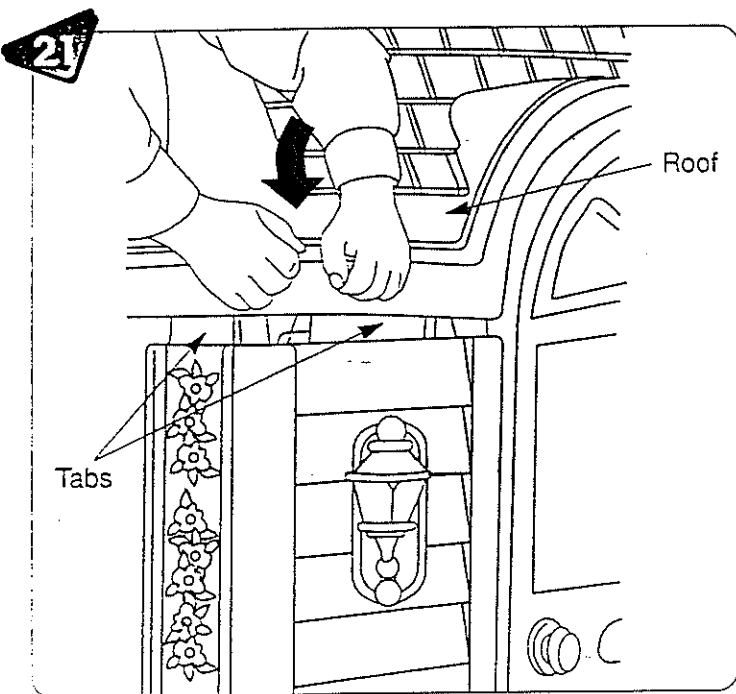


Helpful Hint: You will need the help of another person with this step.

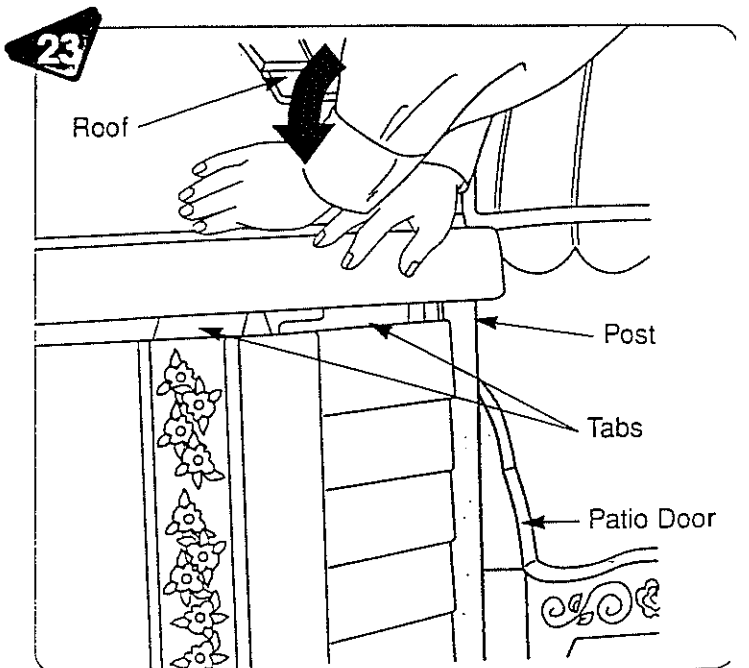
- Position the roof over the playhouse so that the canopy is over the table.



- Align the peg on the front door and the tab on the front wall with the holes in the roof at the **front right corner**. Push down on the roof to secure it in place.



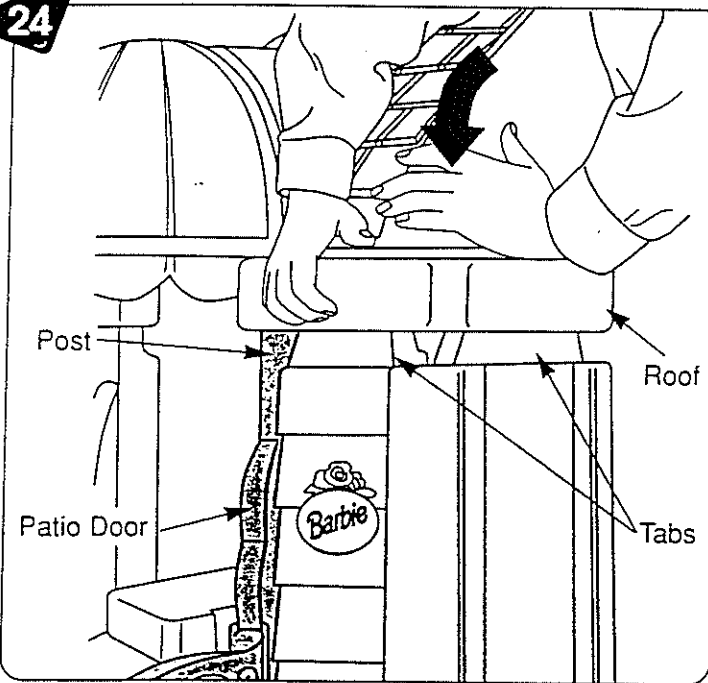
- Align the tabs on the playhouse with the holes in the roof at the **front left corner**. Push down on the roof to secure it in place.



- Align the post on the patio door and the tabs on the playhouse with the holes in the roof at the **rear right corner**. Push down on the roof to secure it in place.

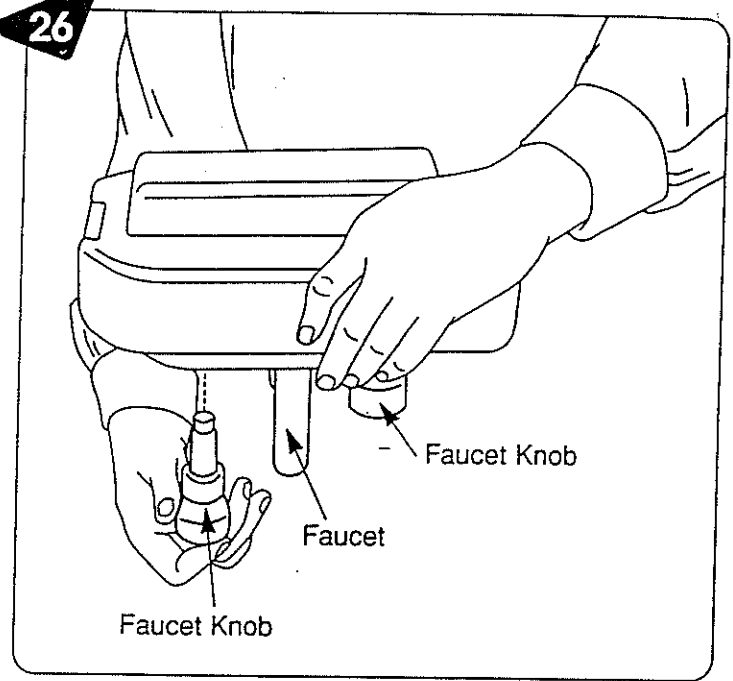
Assembly

24



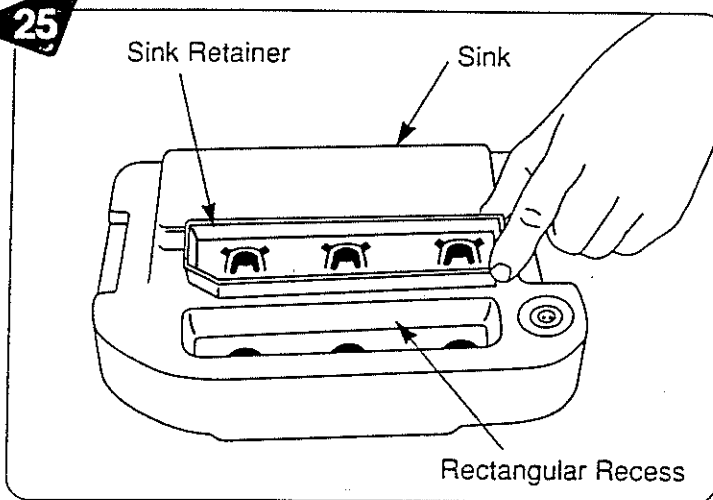
- Align the post on the patio door and the tabs on the playhouse with the holes in the roof at the rear left corner. Push down on the roof to secure it in place.

26



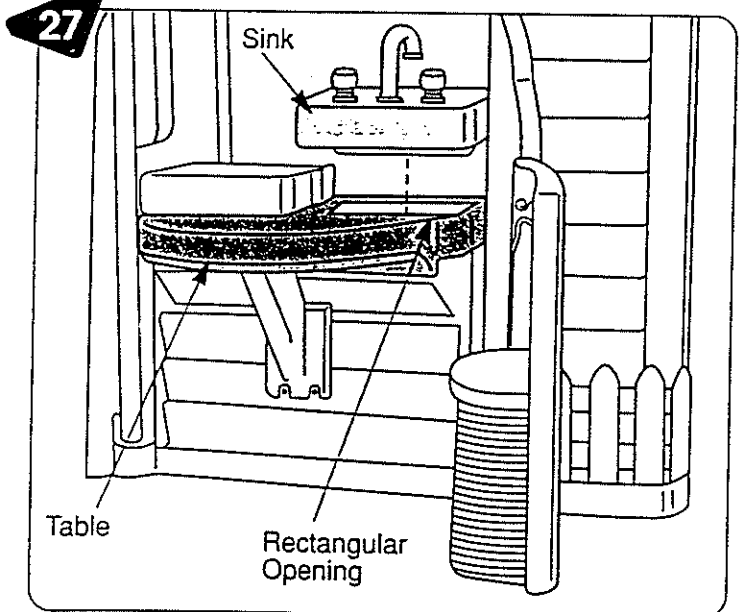
- While holding the sink upside down, insert and snap a faucet knob, the faucet and the other faucet knob (in this order) into the holes in the top side of the sink.

25



- Turn the sink upside down.
- Fit the sink retainer into the rectangular recess in the sink.

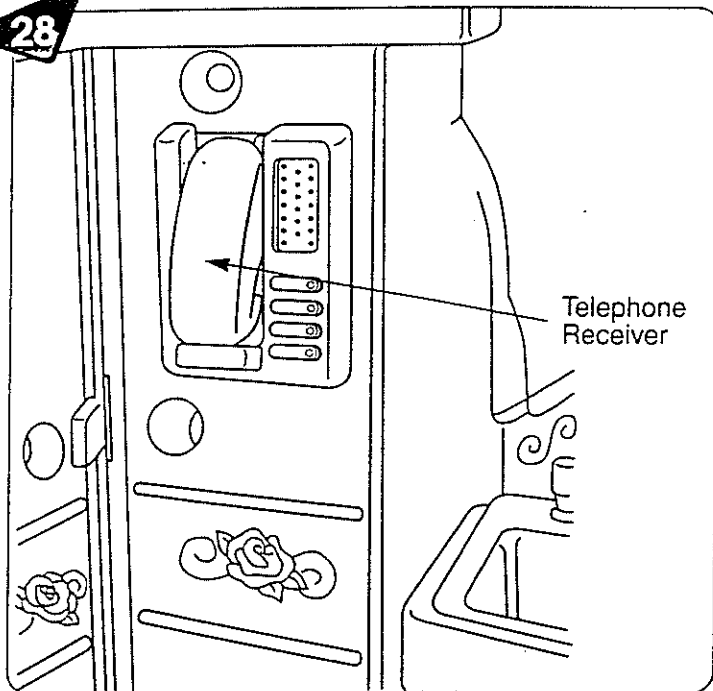
27



- Fit the sink into the rectangular opening in the table.
Helpful Hint: The sink can be filled with water for real clean-up fun and can be removed to drain.

Assembly

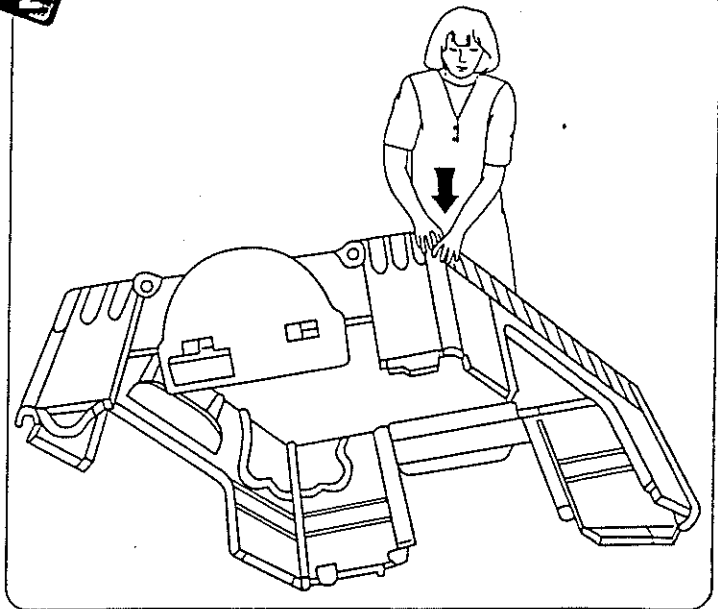
28



- Fit the telephone receiver into the telephone cradle inside the playhouse, near the sink.

Assembly is now complete.

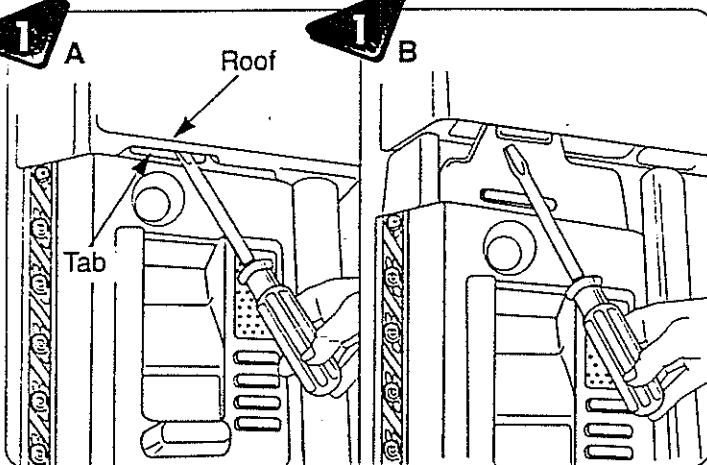
2



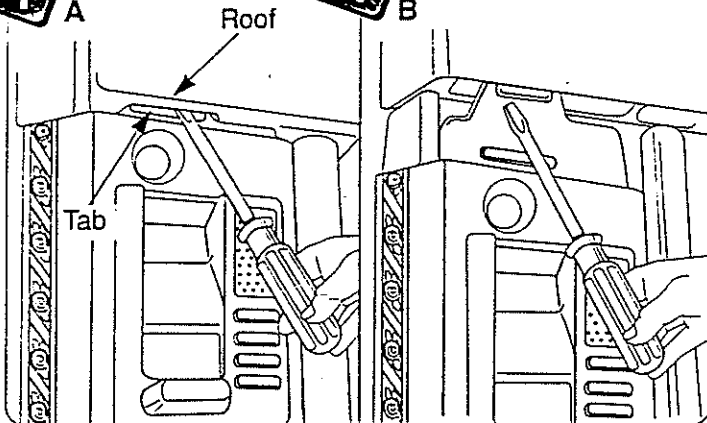
- Tip the playhouse on its side.
- Push down on one of the corners. The playhouse will disassemble into two pieces.

Disassembly for Storage

1 A

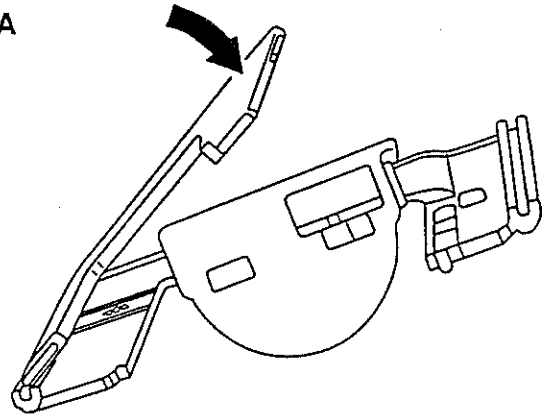


1 B

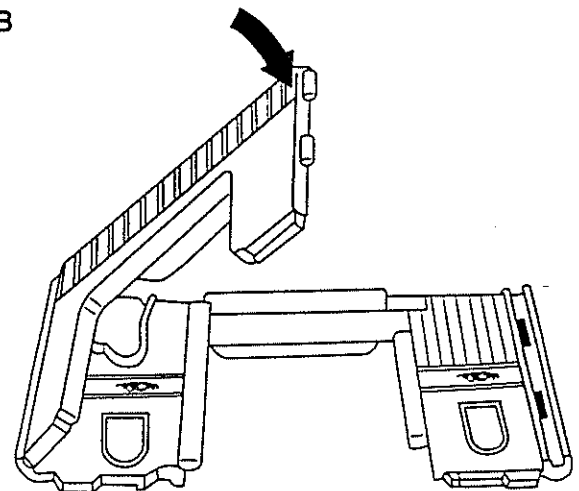


- Locate a tab in any of the inside corners of the playhouse.
- Slide and insert a large slotted screwdriver between the roof and the tab on the inside of the playhouse.
- While rotating the screwdriver toward the wall, lift the corner of the roof off of the playhouse.
- Repeat this procedure to unlatch the roof from the other three corners of the playhouse.
- Remove the roof.
- Remove the front door and the patio doors.
- Remove the sink and telephone receiver.
- Remove the corner chair.

3 A



3 B



- Push down on the left and right side walls to disassemble the playhouse into four pieces.
- Store all parts of the BARBIE™ Party Playhouse, including the hardware and this instruction booklet in a safe place for future re-assembly.

Maintenance

- Periodically inspect the BARBIE™ Party Playhouse for wear or damage and tighten the screws as needed.
- To clean, wash the BARBIE™ Party Playhouse with a mild soap and water solution and a soft cloth. Rinse the BARBIE™ Party Playhouse with water to remove soap residue.

Three (3) Year Limited Warranty

BARBIE™ Party Playhouse, 636 Girard Avenue, East Aurora, New York 14052 warrants to the original owner that the BARBIE™ Party Playhouse is free from all defects in material and workmanship when used under normal conditions for a period of three (3) years from the date of purchase. This warranty does not cover color fading of the product or product parts, or damage from excessive abuse or Acts of God.

Should the product fail to perform properly, we will repair or replace it at our option, free of charge. Purchaser is responsible for shipping the product to Consumers Affairs at the address indicated above and for all associated freight and insurance cost. We will bear the cost of shipping the repaired or replaced item to you. This warranty excludes any liability other than that expressly stated above including but not limited to any incidental or consequential damages.

SOME STATES DO NOT ALLOW THE EXCLUSION OR LIMITATION OF INCIDENTAL OR CONSEQUENTIAL DAMAGES, SO THE ABOVE LIMITATION OR EXCLUSION MAY NOT APPLY TO YOU.

THIS WARRANTY GIVES YOU SPECIFIC LEGAL RIGHTS, AND YOU MAY ALSO HAVE OTHER RIGHTS WHICH MAY VARY FROM STATE TO STATE.

Consumer Information

The BARBIE™ Party Playhouse should be assembled by an adult, and preferably by two adults. Please read these instructions carefully and identify all parts before assembly. Refer to the parts illustration for identification.

If you have any questions about this product, please call BARBIE™ Party Playhouse Consumer Affairs, toll-free at 1-800-432-5437 between 8 AM - 6 PM (EST) Monday through Friday, 9 AM - 5 PM (EST) Saturday, or write to: BARBIE™ Party Playhouse, Attn: Consumer Affairs, 636 Girard Avenue, East Aurora, New York 14052
Hearing-impaired consumers using TTY TDD equipment, please call 1-800-382-7470.

If you have any questions about this product: In Canada, call 1-800-567-7724, or write to: Mattel/Fisher-Price, 6155 Freemont Blvd., Mississauga, Ontario L5R 3W2. In Great Britain, telephone 01734 770488. In Australia, call the Fisher-Price Australian Consumer Advisory Service toll-free at 1-800-500-512, or write to: Fisher-Price, Mattel Pty. Limited, 461 Plummer Street, Port Melbourne, Victoria 3207.

BARBIE™ and associated trademarks are owned by and used under license from Mattel, Inc. ©1995 Mattel, Inc. All rights reserved.

Manufactured by Fisher-Price, Inc.