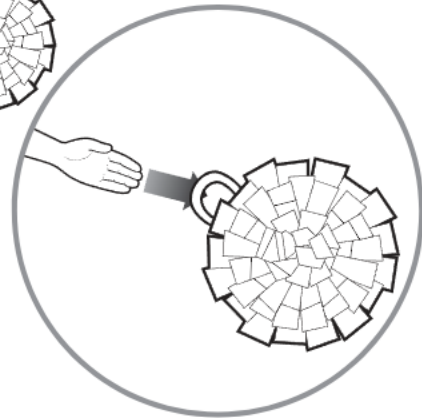
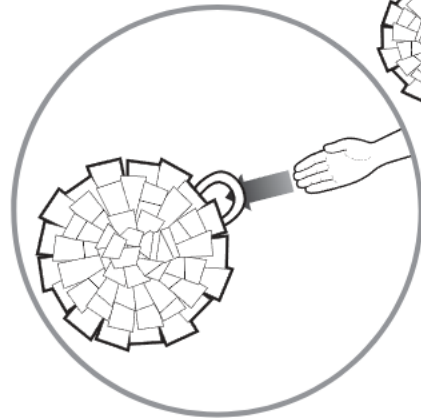
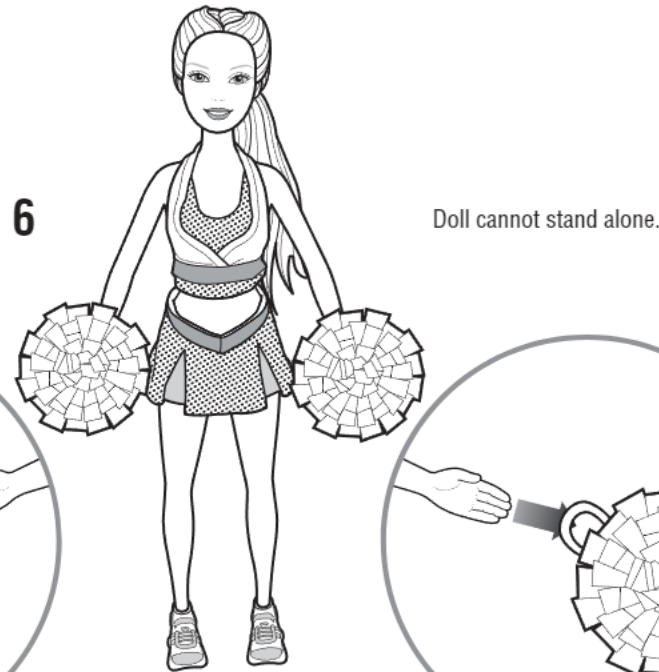
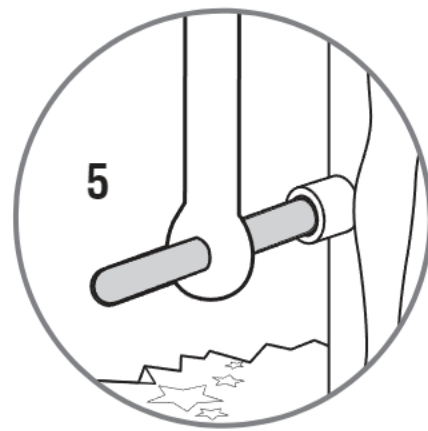


PLAY TIME! (Continued)



5+

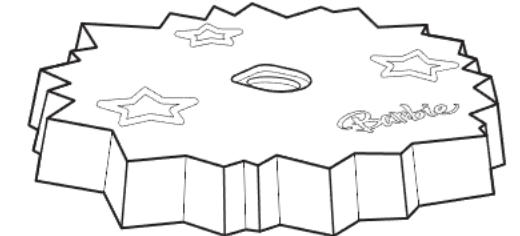
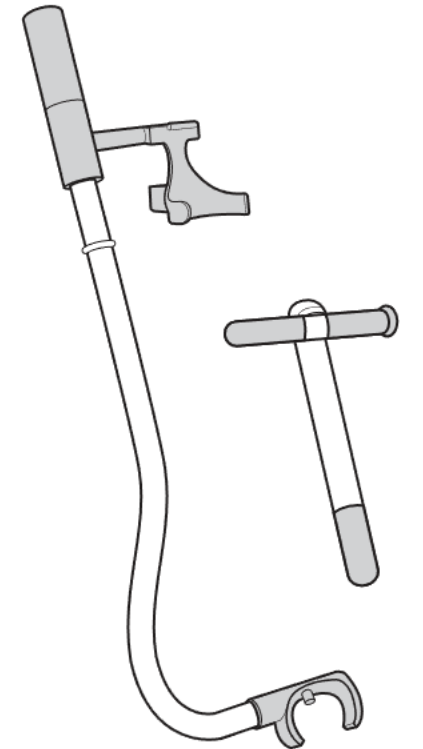
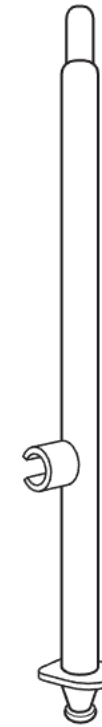
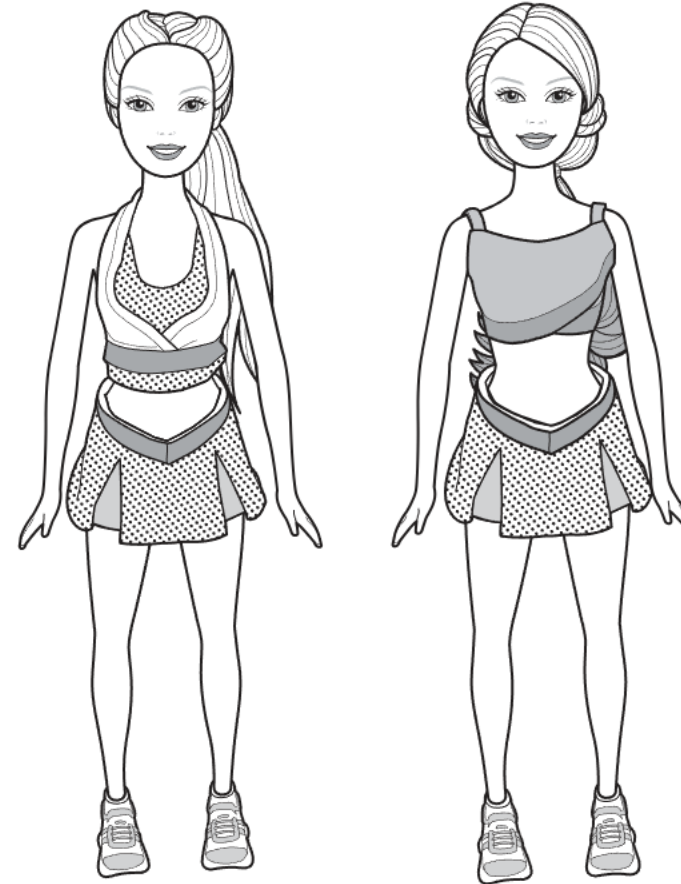
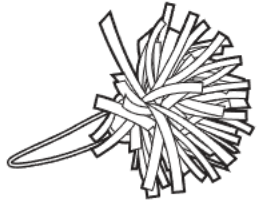
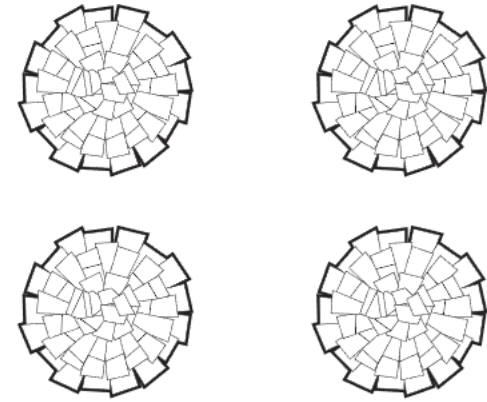
Barbie

INSTRUCTIONS

K8392-0920



CONTENTS



Colours and decorations may vary from those shown. Please remove everything from the package and compare to the contents shown here. If any items are missing, please contact your local Mattel office. Keep these instructions for future reference as they contain important information.

FOR U.S.A. market only:
 We want you to have fun playing with our products.
 Please give us your feedback by filling out the short on-line survey. Go to:
service.mattel.com/surveys
 Thanks for helping us make great toys even better!

CONSUMER INFORMATION

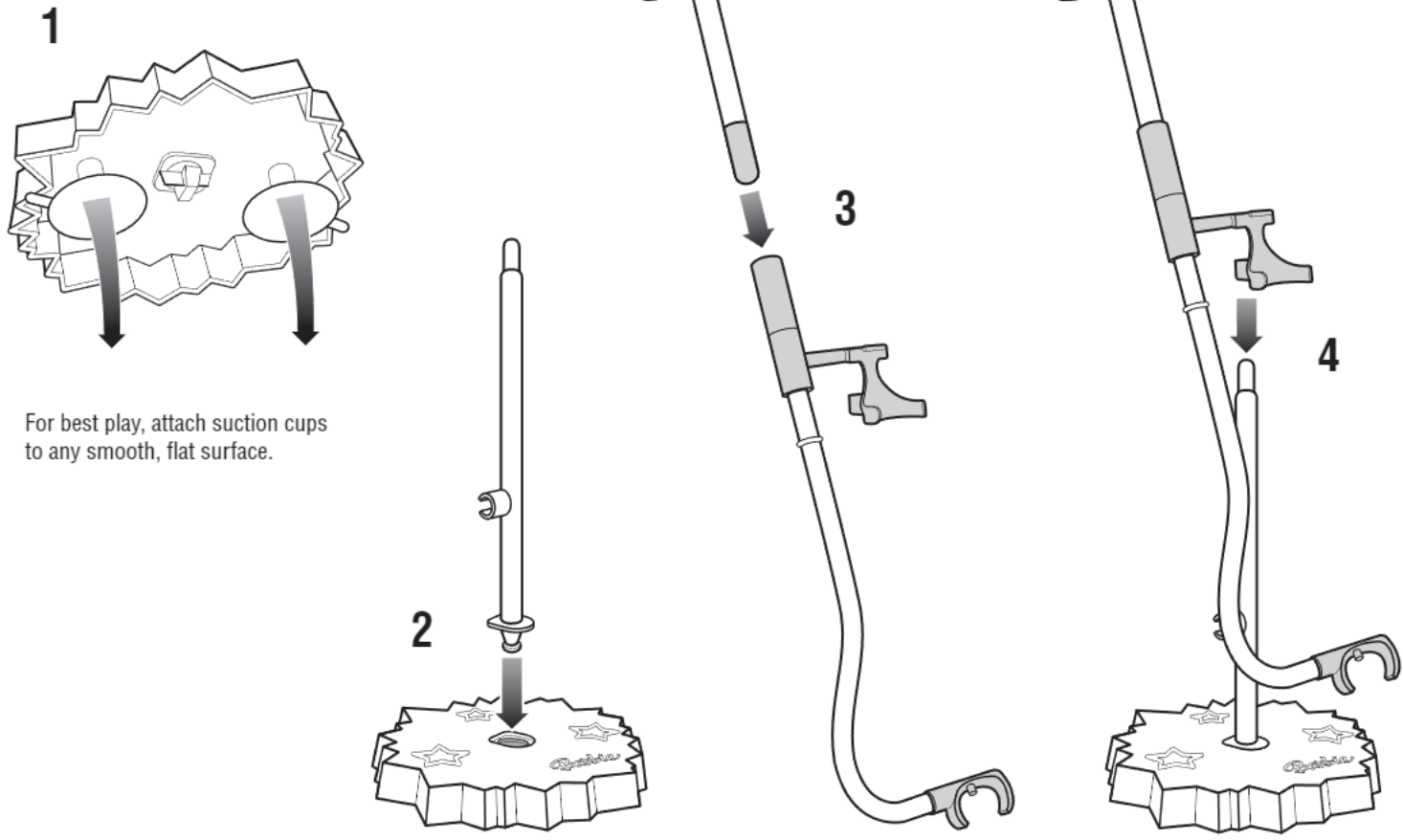
Need Assistance? Visit service.mattel.com or call 1-800-524-8697 (US and Canada only), M-F 9AM - 7PM & SAT 11AM - 5PM, Eastern.

SERVICE.MATTEL.COM

Mattel Canada Inc., Mississauga, Ontario L5R 3W2. You may call us free at 1-800-524-8697.
 Mattel U.K. Ltd., Vanwall Business Park, Maidenhead SL6 4UB. Helpline 01628500303
 Mattel Australia Pty., Ltd., Richmond, Victoria. 3121. Consumer Advisory Service - 1300 135 312.
 Mattel East Asia Ltd., Room 1106, South Tower, World Finance Centre, Harbour City, Tsimshatsui, HK, China.
 Diimport & Diedarkan Oleh: Mattel SEA Ptd Ltd.(993532-P) Lot 13.5, 13th Floor, Menara Lien Hoe, Persiaran
 Tropicana Golf Country Resort, 47410 P.J. Tel:03-78803817, Fax:03-78803867.
 Mattel, Inc., 333 Continental Blvd., El Segundo, CA 90245 U.S.A. Consumer Affairs 1 (800) 524-8697.

WARNING:
 CHOKING HAZARD - Small parts.
 Not for children under 3 years.

GET READY



PLAY TIME!

