



### We listen to you!

We want you to have fun playing with our products.

Please give us your feedback by filling out the short on-line survey. Go to: [secure.mattel.com/surveys](http://secure.mattel.com/surveys)

Thanks for helping us make great toys even better!

### CONSUMER INFORMATION

**Need Assistance?** Visit [service.mattel.com](http://service.mattel.com) or call 1-800-524-8697 (US and Canada only), M-F 9AM - 7PM & SAT 11AM - 5PM, Eastern.

[SERVICE.MATTEL.COM](http://SERVICE.MATTEL.COM)

Mattel Canada Inc., Mississauga, Ontario L5R 3W2. You may call us free at 1-800-524-8697.  
 Mattel U.K. Ltd., Vanwall Business Park, Maidenhead SL6 4UB, Helpline 01628 500303.  
 Mattel Australia Pty., Ltd., Richmond, Victoria. 3121. Consumer Advisory Service - 1300 135 312.  
 Mattel East Asia Ltd., Room 1106, South Tower, World Finance Centre, Harbour City, Tsimshatsui, HK, China.  
 Diimport & Diedarkan Oleh: Mattel SEA Ptd Ltd.(993532-P) Lot 13.5, 13th Floor, Menara Lien Hoe, Persiaran Tropicana Golf Country Resort, 47410 PJ. Tel:03-78803817, Fax:03-78803867.  
 Mattel, Inc., 333 Continental Blvd., El Segundo, CA 90245 U.S.A. Consumer Affairs 1 (800) 524-8697.

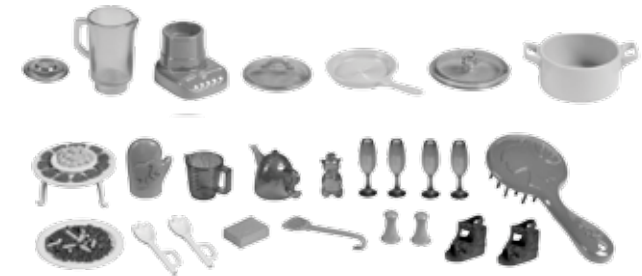
3+ *Barbie*

# INSTRUCTIONS

N4893-0920



## CONTENTS

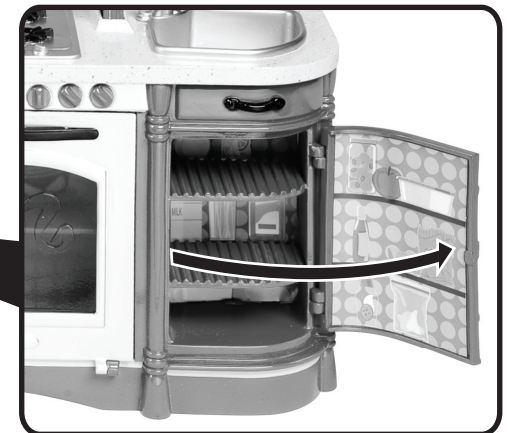
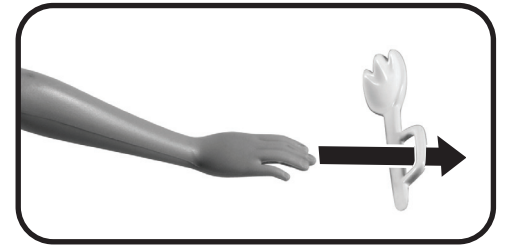
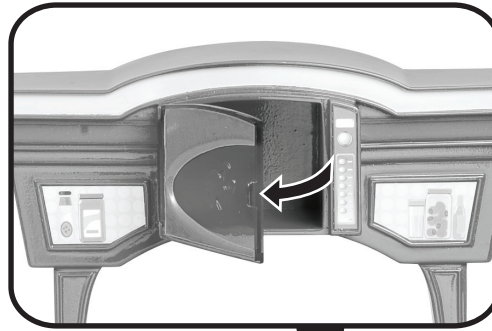
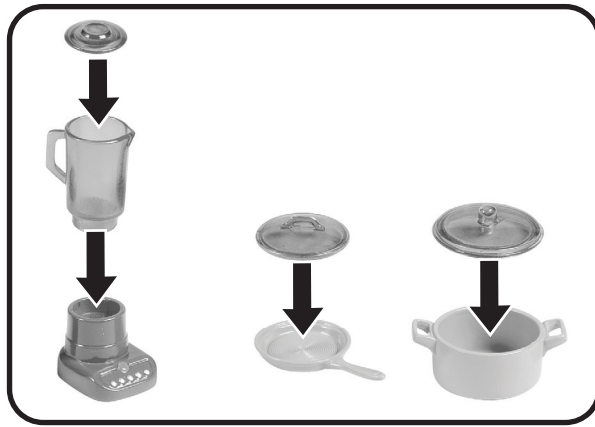


Doll cannot stand alone.

**WARNING:**  
**CHOKING HAZARD** - Small parts.  
 Not for children under 3 years.

Please remove everything from the package and compare to the contents shown here. If any items are missing, please contact your local Mattel office. Keep these instructions for future reference as they contain important information.

# Let's Play!







**We listen to you!**

We want you to have fun playing with our products.

Please give us your feedback by filling out the short on-line survey. Go to: [secure.mattel.com/surveys](http://secure.mattel.com/surveys)

Thanks for helping us make great toys even better!

**CONSUMER INFORMATION**

**Need Assistance?** Visit [service.mattel.com](http://service.mattel.com) or call 1-800-524-8697 (US and Canada only), M-F 9AM - 7PM & SAT 11AM - 5PM, Eastern.

[SERVICE.MATTEL.COM](http://SERVICE.MATTEL.COM)

Mattel Canada Inc., Mississauga, Ontario L5R 3W2. You may call us free at 1-800-524-8697.  
 Mattel U.K. Ltd., Vanwall Business Park, Maidenhead SL6 4UB. Helpline 01628 500303.  
 Mattel Australia Pty., Ltd., Richmond, Victoria. 3121. Consumer Advisory Service - 1300 135 312.  
 Mattel East Asia Ltd., Room 1106, South Tower, World Finance Centre, Harbour City, Tsimshatsui, HK, China.  
 Diimport & Diedarkan Oleh: Mattel SEA Ptd Ltd.(993532-P) Lot 13.5, 13th Floor, Menara Lien Hoe, Persiaran  
 Tropicana Golf Country Resort, 47410 PJ. Tel:03-78803817, Fax:03-78803867.  
 Mattel, Inc., 333 Continental Blvd., El Segundo, CA 90245 U.S.A. Consumer Affairs 1 (800) 524-8697.

**CONTENTS**

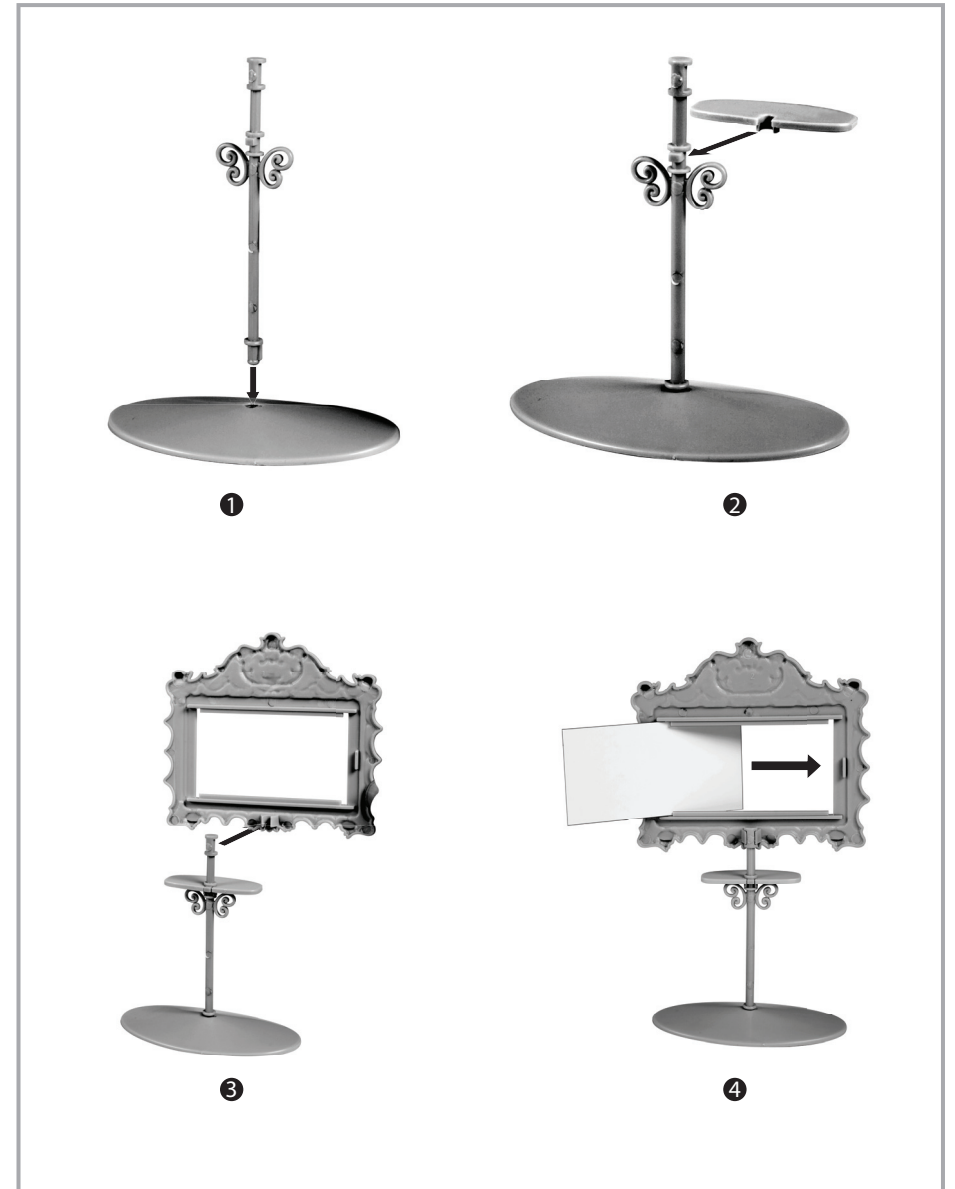
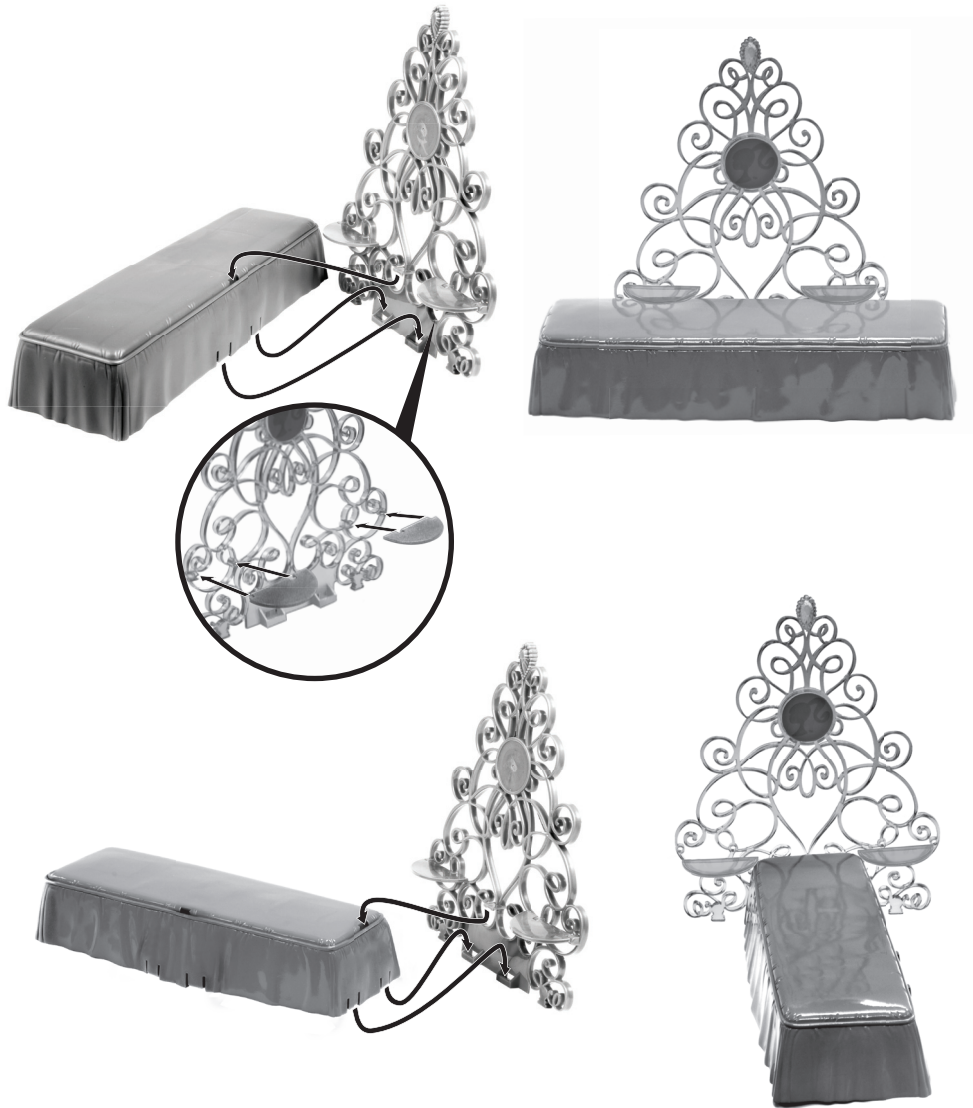


Doll cannot stand alone.

**WARNING:**  
**CHOKING HAZARD** - Small parts.  
 Not for children under 3 years.

Please remove everything from the package and compare to the contents shown here. If any items are missing, please contact your local Mattel office. Keep these instructions for future reference as they contain important information.

# Let's Play!







Let's Play!

